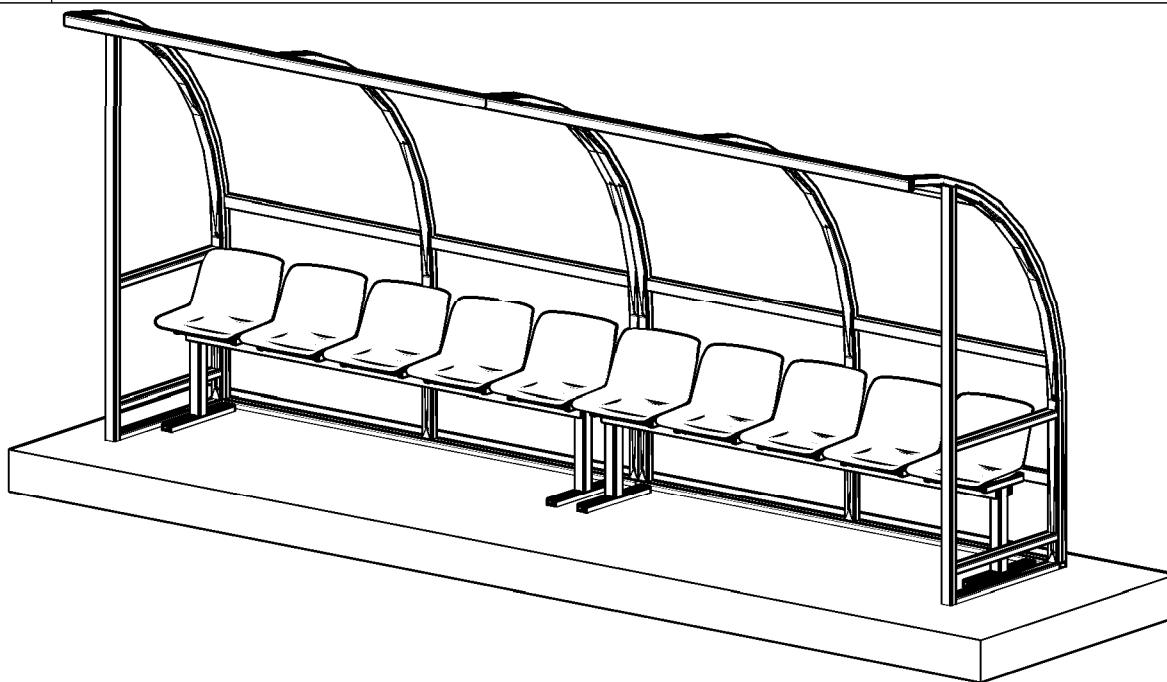


Art-6263

5mt "Standard" model team shelter in aluminum with polycarbonate cover

**Description:**

Team shelter model "Standard" 5 meters (10 seats) covers and sides made of aluminum section 50x30 mm.

4 mm thick polycarbonate cover.

Seat frame in hot galvanized steel and polypropylene shells with back.

**Parts list:**

N ° 2 sides;

N ° 2 Covers;

8 screws M10x25 T.C.E.I. (Detail A)

N ° 1 Junction;

N ° 14 M10x90 screws with dowels  
(Detail B) and washers

10 screws M10x25 T.E. (Detail C)

N ° 2 Seat frame

N ° 10 bodies

**WARNINGS**

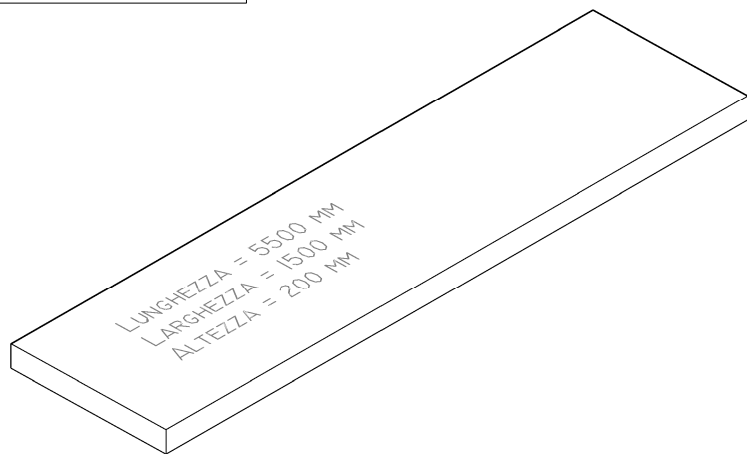
- Before using the team shelter or starting assembly, carefully read the instructions and make sure that all the components are present;
- This structure is designed exclusively for football / soccer and not for other purposes;
- Fasten the structure with specific anchors to the type of flooring (the anchors provided are indicated for solid masonry);
- Do not hang on the structure;
- The manufacturer cannot be held responsible for any damage caused by improper and unreasonable use;
- The structures can deteriorate if they are subjected to particular atmospheric conditions;
- In case of snow, remove as soon as possible.

**MAINTENANCE**

- Check once a year that all the fasteners are fully tightened;
- Check the general condition of the structure periodically and in any case once a year.

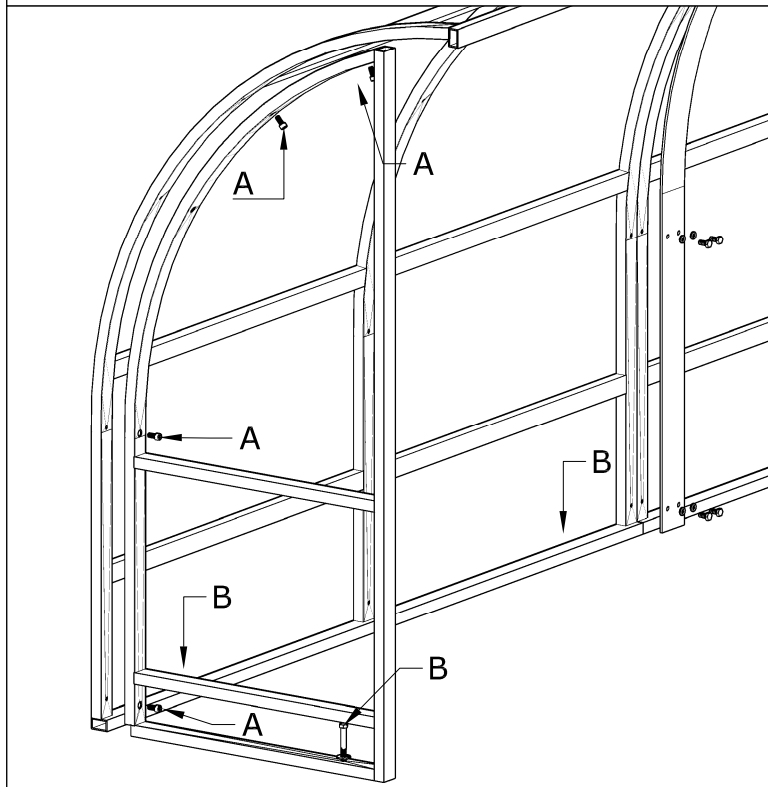
In the event of structural failures or deformations, breakages or anomalies in general, contact the installer or dealer immediately.

CONCRETE FLOOR

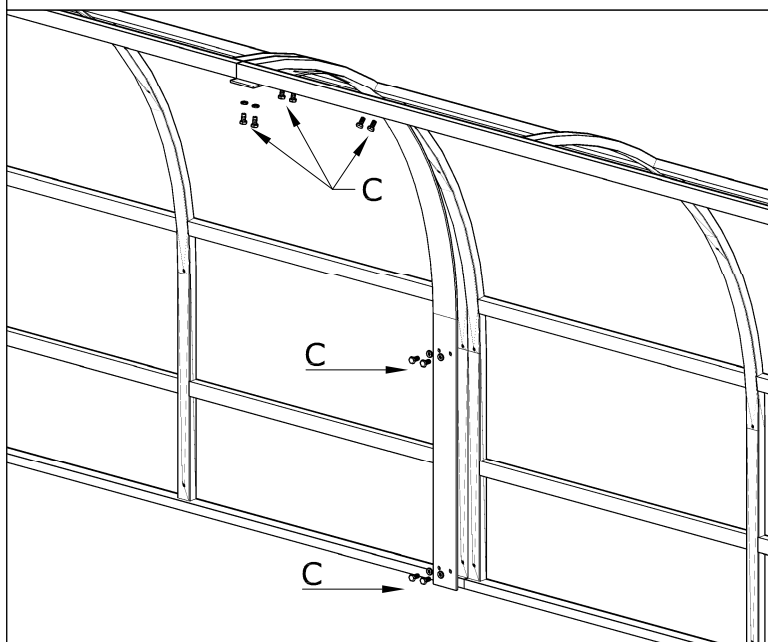


### Assembly operations:

IT IS ADVISABLE TO BUILD A REINFORCED CONCRETE FOUNDATION WITH THE DIMENSIONS SHOWN (NOT INCLUDED). FOR FIXING THE STRUCTURE USING DOWELS, FOLLOW STANDARD PROCEDURES.

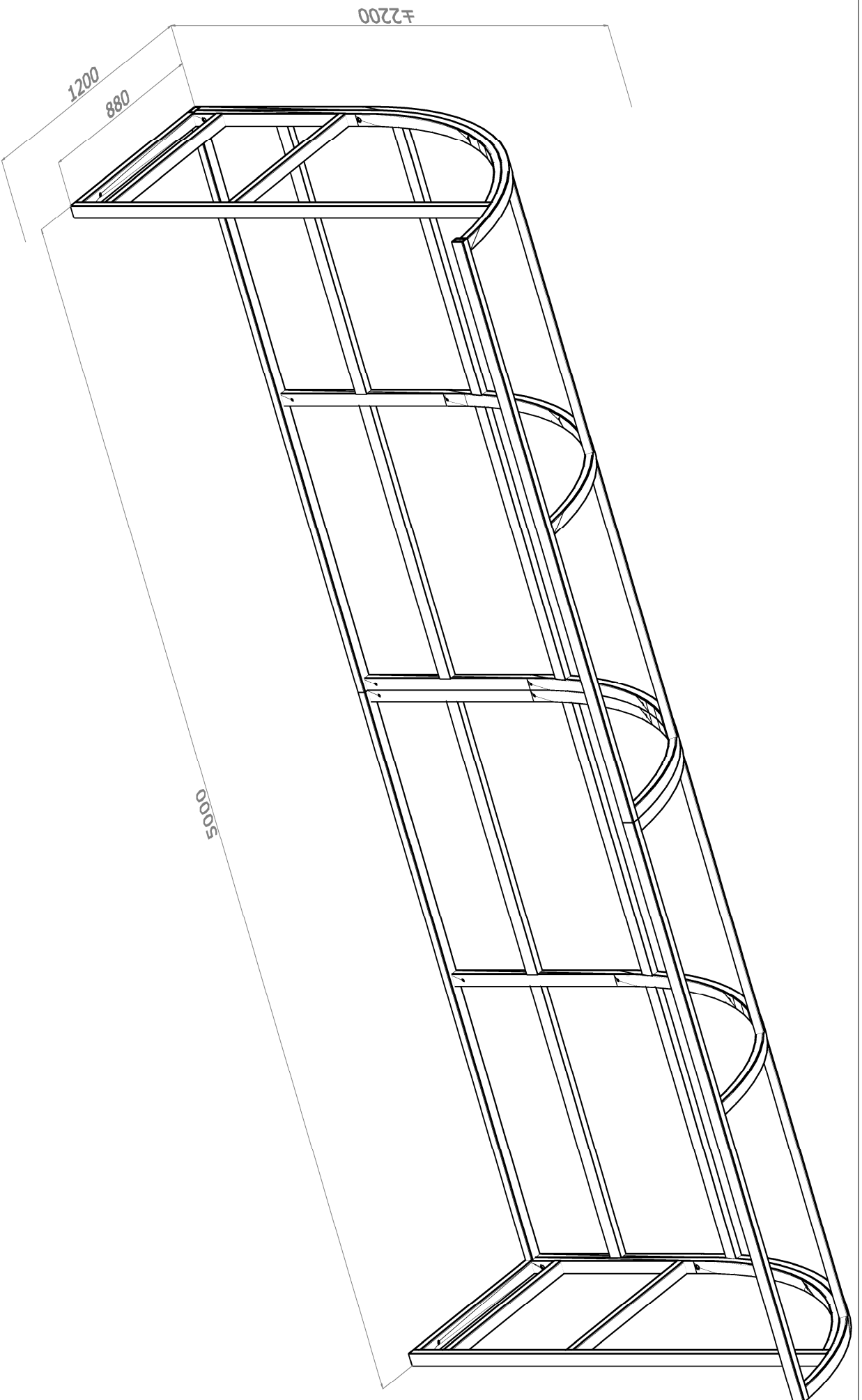


TO CONNECT THE COVER TO THE SIDE, USE THE 4 M10 SCREWS, IT IS RECOMMENDED TO SCREW IN ALL THE SEPARATE SCREWS AND FINALLY TIGHTEN ALL THE FASTENERS



TO CONNECT THE COVERS, USE THE 10 SCREWS M10x25 T.E. (DETAIL C), IT IS RECOMMENDED TO SCREW ALL THE SCREWS PARTIALLY AND FINALLY TIGHTEN ALL THE FIXINGS, TO CONNECT THE SIDE REPEAT THE FIRST SEQUENCE.

THEN ANCHOR THE STRUCTURE TO THE GROUND WITH SPECIFIC ANCHORS FOR THE TYPE OF FLOORING (DETAIL B).



**VIVISPORT**  
attrezzature sportive

Team shelter model Standard

Art. 6263

Tolleranza su quotazioni pari a +1 -0 mm.  
Controllo qualità ogni 50 pezzi.

Aggiornamento  
n°

Pagina: 3/4