

PRODUCT DESCRIPTION

Horizontal transportable ladder mt. 5, consist in a dry wood ladder, lateral ladder in yellow pine wood mm. 90x50, treated beech wood rungs diam. 35 mm. width 50 cm. length 500 cm. Two frames with steel bases hold the ladder, holes on the frames allow to choose height and slant.

ASSEMBLY INSTRUCTIONS

- Fix the base to the frame. (Fig. 2)
- Fix the tie-bar from the base to the frame. (Fig. 3)
- Assemble the ladder. (Fig. 4)
- Adjust the height. (Fig. 5)

WARNINGS

- Before starting the assembly or use the structure, read carefully instructions and verify the presence of all the components.
- Before start to use the structure control the general conditions of it.
- The constructor is not responsible for any eventually damages caused from a bad or not responsible use of it.

MAINTENANCE

- Once a year, control that all the fixings are well closed.
- Every time that the structure is installed, control the general condition of the poles.

In case of structural failures or deformations, breaks or anomalies in general, contact immediately the installer or the dealer.

Figura 1

LIST OF COMPONENTS FOR N. 1 LADDER ART. 1684

- n° 2 bases;
- n° 2 structures;
- n° 1 ladder 5mt;
- n° 4 Tie-bars to assembly base and structure;
- n° 24 screws M10X40 with washer;
- n° 2 Rods to adjust height;

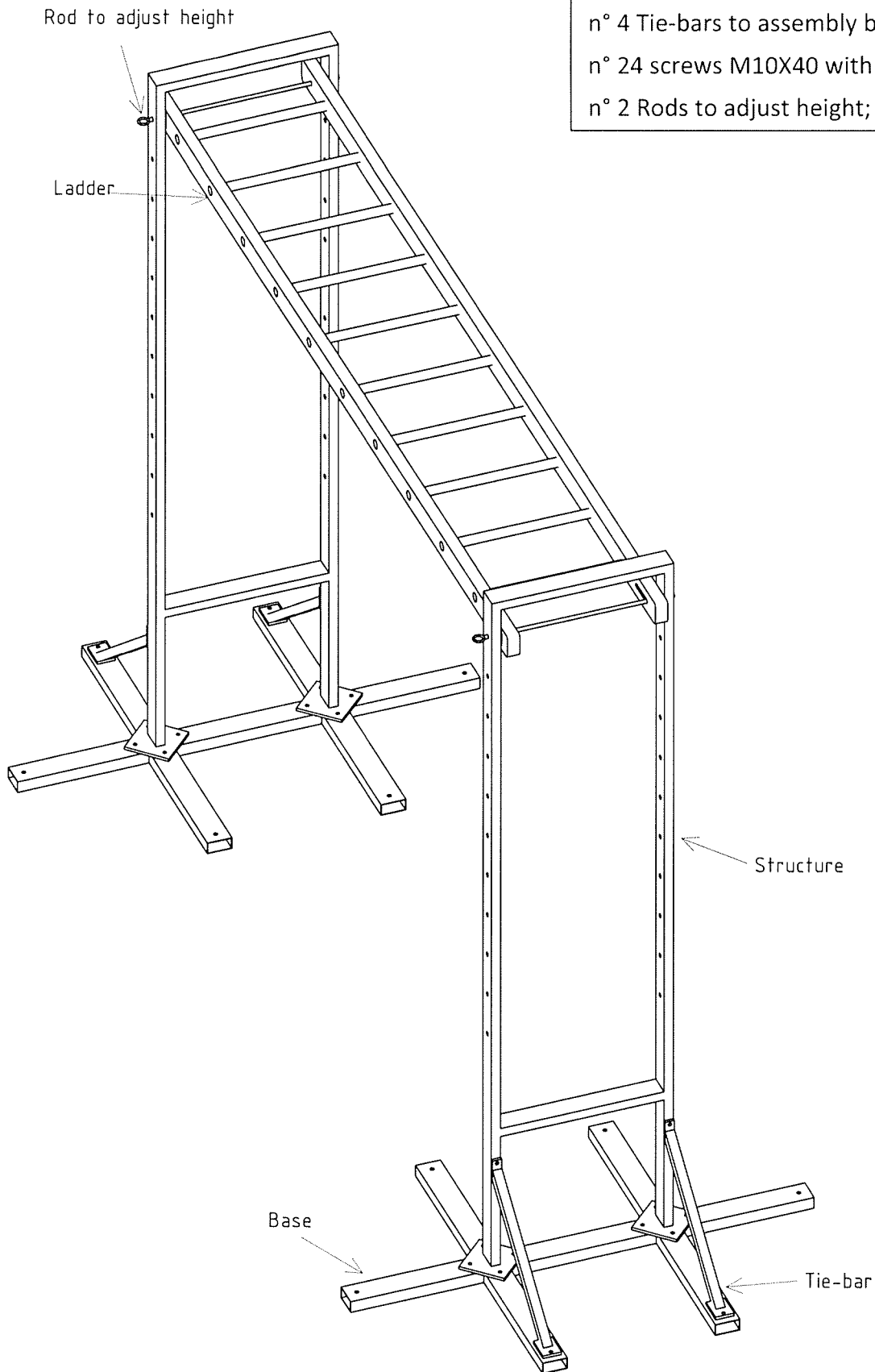


Figura 2

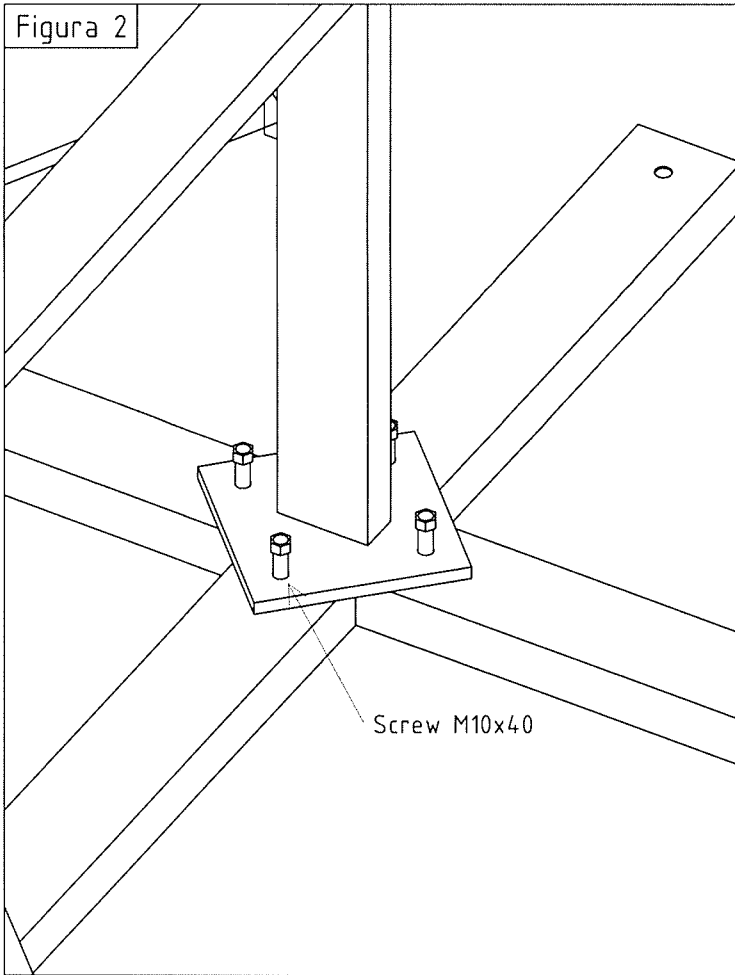


Figura 3

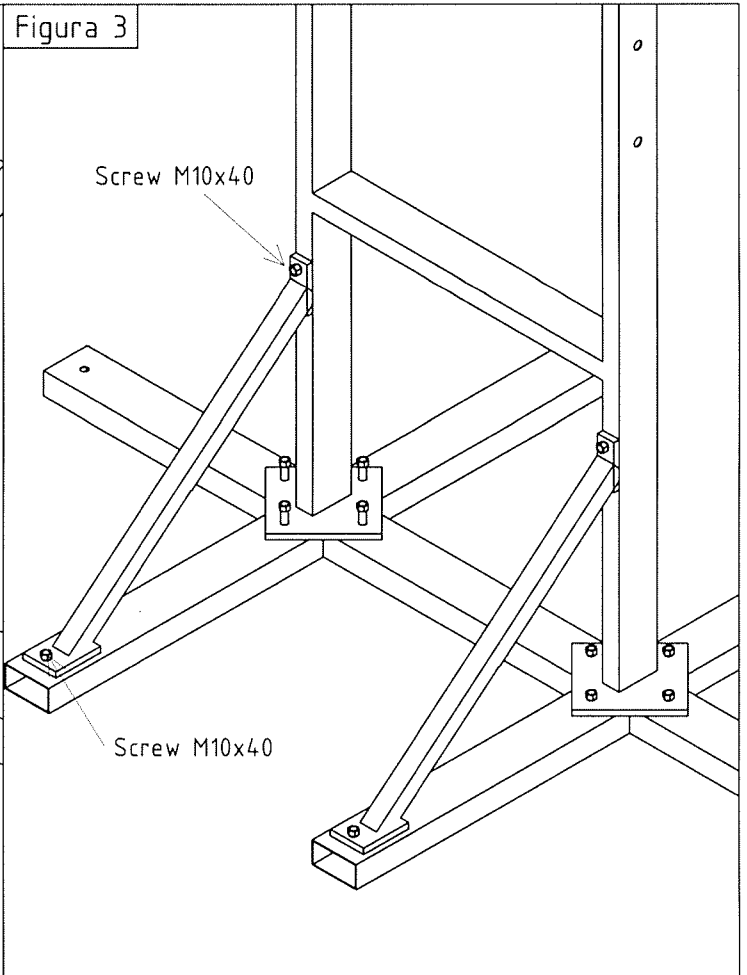


Figura 4

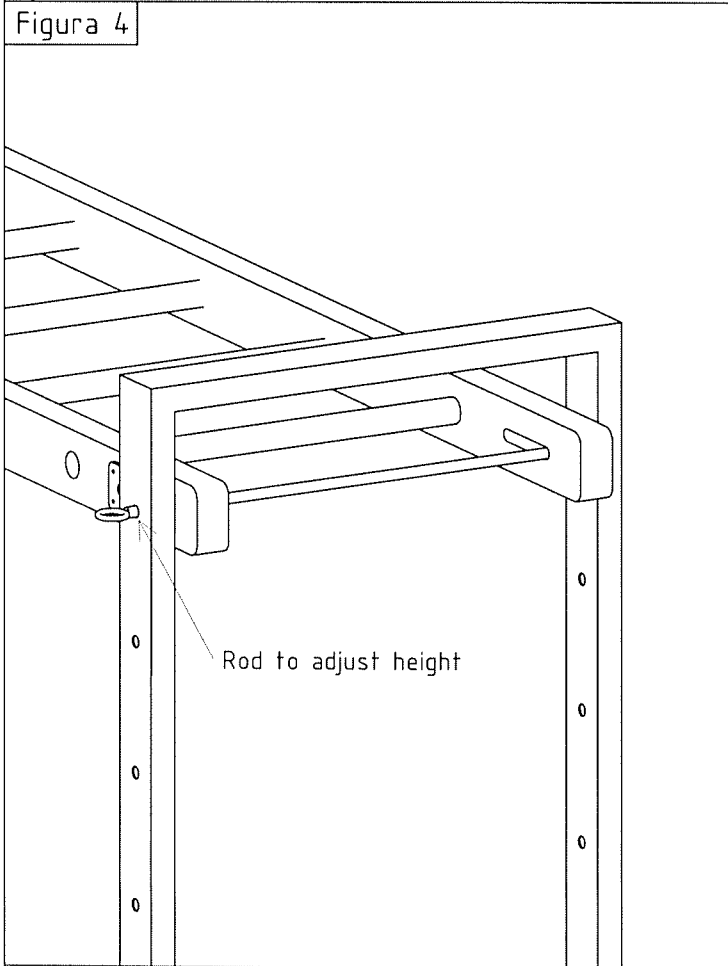


Figura 5

