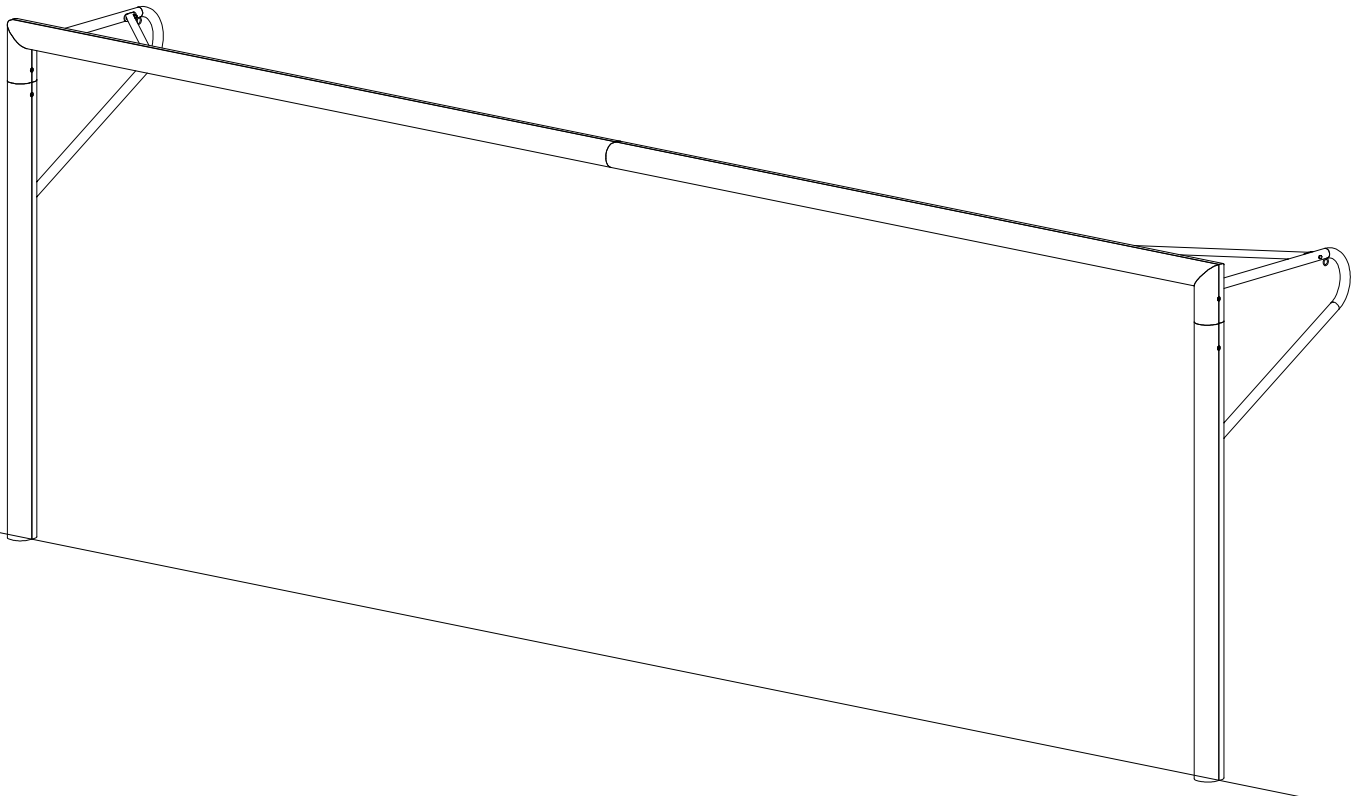


**ART. 5922** SOCCER GOAL REDUCED DIMENSION 5X2 METERS, IN ALUMINUM SECTION 100x120 MM., FIXED WITH BUSHES, WITH ELBOW SUPPORT.



#### PRODUCT DESCRIPTION

Goals reduced size 5.00x2.00 meters suitable for football, made with aluminum profile oval section 100x120 mm. with internal reinforce. To make the goal even more stable and sturdy, the elbows are welded and the joints are made of high thickness profile in special alloy aluminum 6005.

Complete with aluminum bushings, hot galvanized steel elbow supports, and plastic hooks for fixing the net. The bottom edge of the net must be fixed to the ground.

#### WARNINGS

Before using the system or starting assembly, carefully read the instructions and make sure that all the components are present.

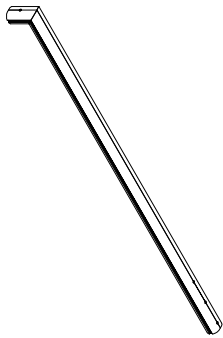

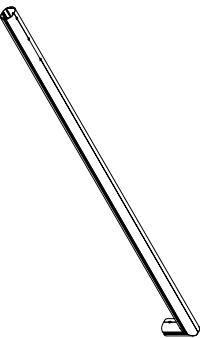

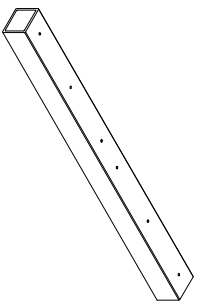
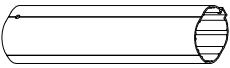

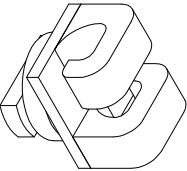
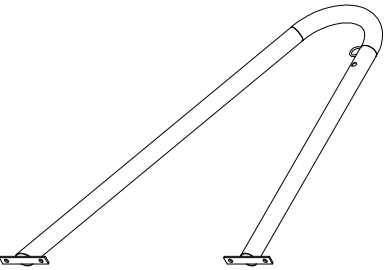
This door is designed exclusively for football and not for other purposes.

- Before using this product, check that all the fasteners are fully tightened.
- The door must always be secured against tipping.
- Perform periodic checks on the state and safety.
- Do not climb on the net or on the goal structure.

#### MAINTENANCE

- Check once a year that all fasteners are fully tightened.
- Check the condition of the hooks once a year and replace if necessary.
- Check the general condition of the goal once a year.

In the event of structural failures or deformations, breakages or anomalies in general, contact the installer or dealer immediately.

 <p>Half left crossbar.</p>	 <p>Pole</p>
 <p>Half right crossbar.</p>	 <p>tie bar</p>
 <p>Cross junction.</p>	 <p>Socket post</p>
 <p>Post-cross junction.</p>	 <p>Hooks</p>
 <p>Net support</p>	

CONTENT OF 1 PAIR OF DOORS

- n ° 2 right poles per door;
- n ° 2 left poles per door;
- n ° 2 half right crosspieces;
- n ° 2 half left crosspieces;
- n ° 4 pole-cross joints;
- n ° 2 crossbar junctions;
- n ° 4 bushes per pole;
- n ° 4 net supports;
- n ° 4 reinforcements for net supports;
- n ° 86 hooks for fixing the net;
- n ° 4 screws M8x60 t.e. ;
- n ° 4 screws M10x40 t.e. ;
- n ° 4 M10x120 screws;
- n ° 40 screws M8x25 t.s.p. ;
- n ° 24 screws M8x20 t.b. ;
- n ° 8 M10 nuts;
- n ° 28 M8 nuts;
- n ° 28 washers  $\phi$ 8 mm.

WEIGHT OF 1 DOOR = 74 kg. about.



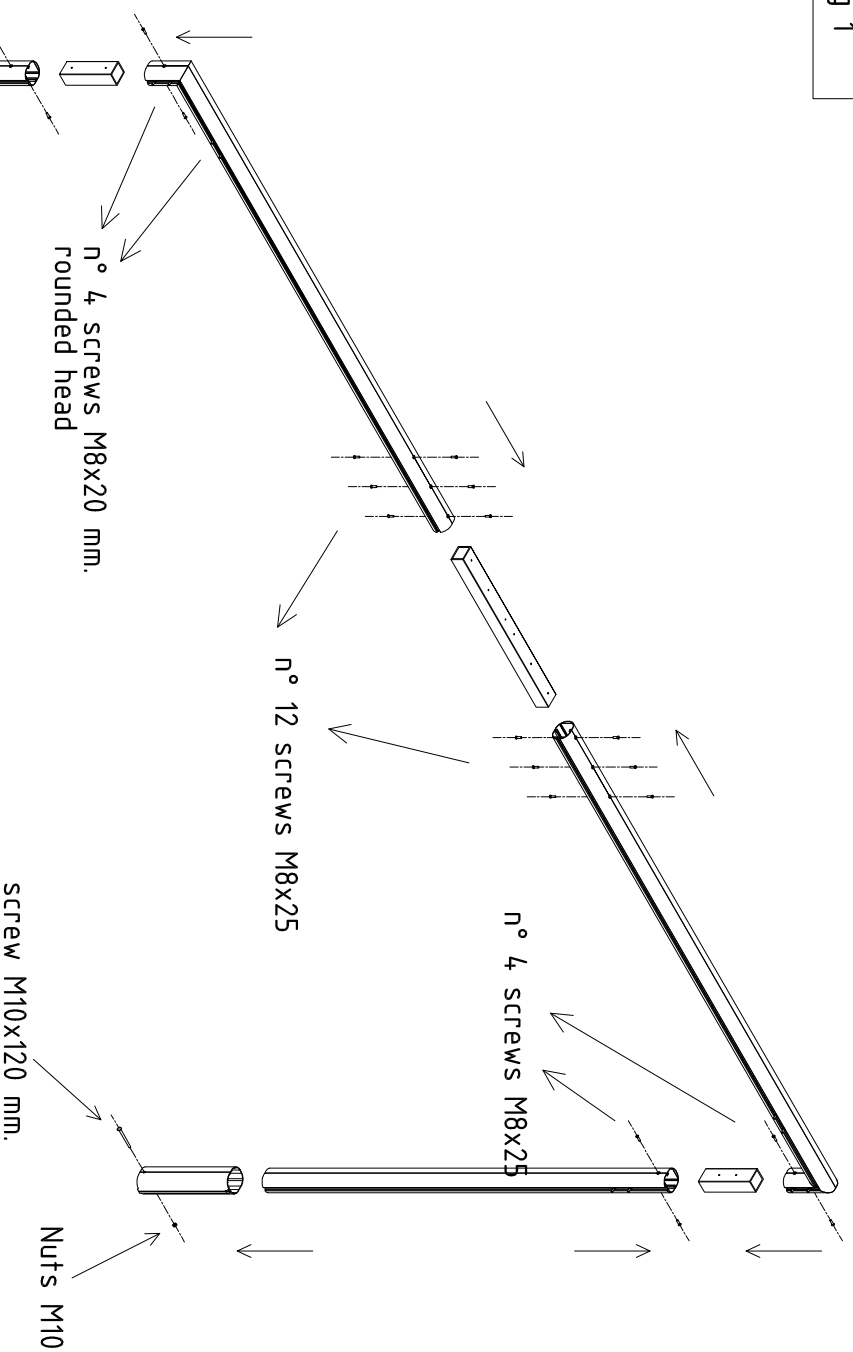
Fixed 5x2 goals in aluminum section. 120x100 mm.

Art. 5922

Data: 09/06/2020  
Aggiornamento n° 0

Pagina: 2/5

Fig 1



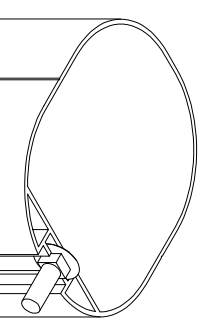
**- ASSEMBLY INSTRUCTIONS**

- Fasten the screws to the bush (Figure 1);
- Build the plinths and position the bushes (Figure 4-5);
- Fix the M10x40 screws in the bushes (Fig. 6);
- Insert the poles into the bushes (Figure 1);
- Mount the crosspiece on the ground by tightening the screws of the crosspiece joint (Fig. 1);
- Fasten the pole joints on the crossbar without tightening the screws (Fig. 1);
- Insert the M8x20 screws in the slots (Fig. 2);
- Fix the crossbar to the poles and tighten the screws in the pole-crossbar joint (Fig. 1);
- Mount the net support (Fig. 3);
- Mount the reinforcement for net support (Fig. 3);
- Apply the net hooks in the slots of the poles and crossbars at a distance of about 25 cm. from each other. In total 50 hooks each door. (Figure 8).

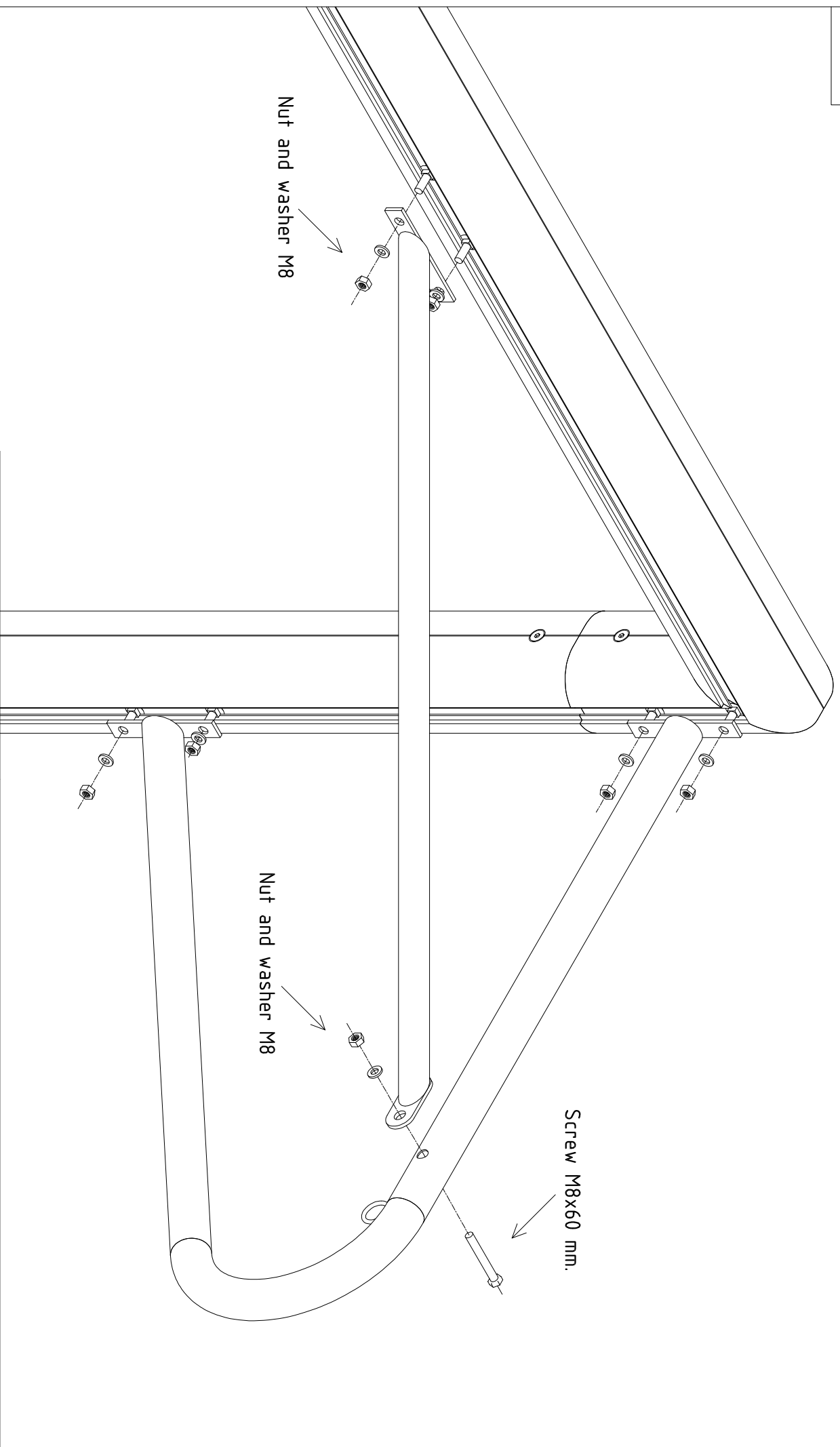
Fig 2

Insert the M8x20mm screws. rounded head as in the drawing below.

N ° 4 screws each half crosspiece  
N ° 2 screws each pole



Fixed 5x2 goals in aluminum section. 120x100 mm.



Nut and washer M8

Nut and washer M8

Screw M8x60 mm.

Fixed 5x2 goals in aluminum section. 120x100 mm.



Art. 5922

Data: 09/06/2020  
Aggiornamento n° 0

Pagina: 4/5

Fig 4

Use ordinary concrete C16 / 20

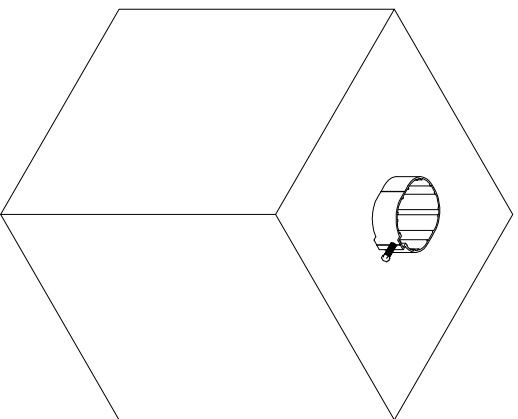
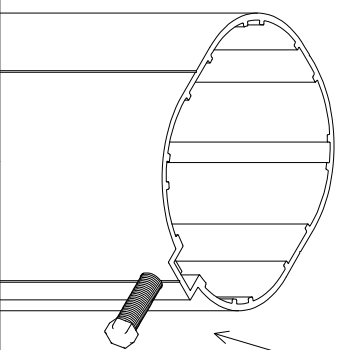


Fig 6

Insert the M10 nut in the slot and fix it as shown in the drawing with the M10x40 screw



Position the compass with the screw slot oriented towards the outside of the field.  
To facilitate the drainage of liquids it is recommended to apply a small tube in the cement between the bush and the end of the plinth.

Fig 8

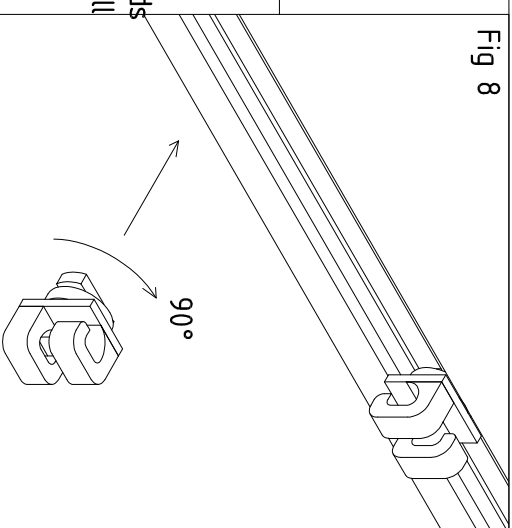


Fig 5

Concrete plinth  
Socket

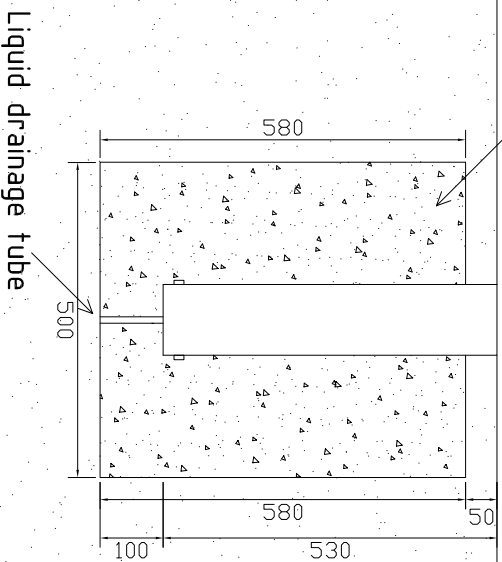
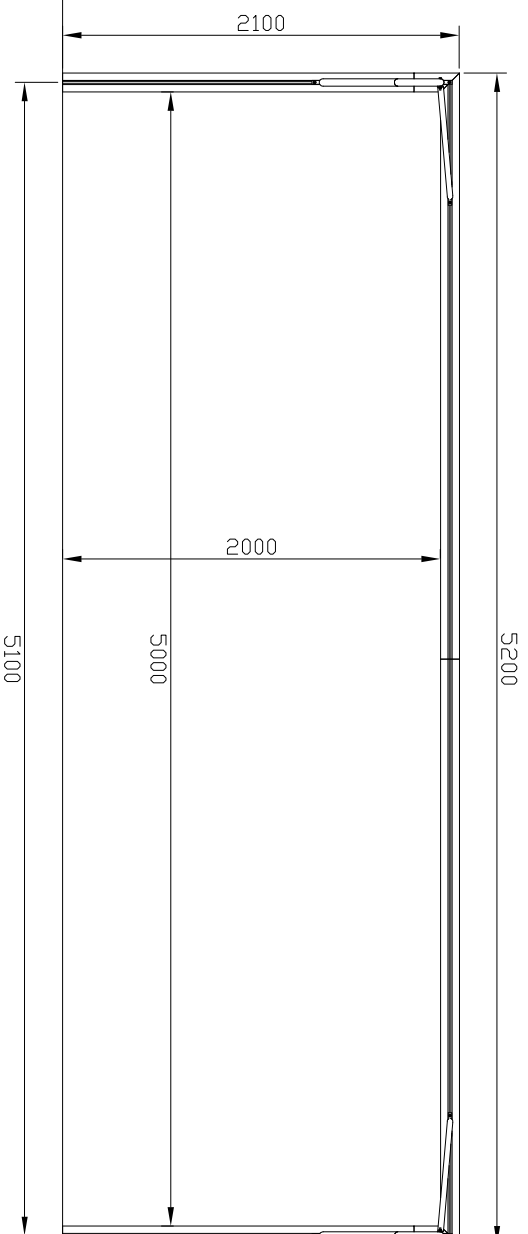


Fig 7

Back view



**VIVISPORT**  
attrezzature sportive

Fixed 5x2 goals in aluminum section. 120x100 mm.

Art. 5922

Data: 09/06/2020  
Aggiornamento n° 0

Pagina: 5/5