

## PRODUCT DESCRIPTION

Professional Beach Volley system, with galvanized steel post diam. 102 mm. , galvanized steel telescopes, net tensioner, and base with wood beam to make the system more steady.

Suitable for outdoor events in artificial beach volley playground ( square, arena....)

## ASSEMBLY INSTRUCTION:

Insert wood posts in to the 3-dimensional base;

Insert the galvanized post;

Insert and adjust the height;

## LIST OF COMPONENTS FOR N. 1 SYSTEM SRT. N. 5500

n° 2 bases;

n° 2 wood posts 3m;

n° 2 wood posts 2m;

n° 2 galvanized posts;

n° 2 telescopes.

## WARNINGS

- Before starting the assembly or use the system, read carefully instructions and verify the presence of all the components.
- The constructor is not responsible for any eventually damages caused from a bad or not responsible use of it.
- This system has been designed exclusively for beach volley not for others uses;
- The socket has to be bury until the floor level;
- Is recommended to install the system before filling with sand the playground;
- Do not climb on the posts or net;

## MAINTENANCE

- Once a year, control that all the fixings are well closed.
- Once a year control the general condition of the beach volley system.

In case of structural failures or deformations, breaks or anomalies in general, contact immediately the installer or the dealer.



**VIVISPORT**  
attrezzature sportive

TELESCOPIC ALLUMINIUM BEACH VOLLEY SYSTEM F.I.V.B.

Art.5500

Tolleranza su quotazioni pari a +1 -0 mm.  
Controllo qualità ogni 50 pezzi.

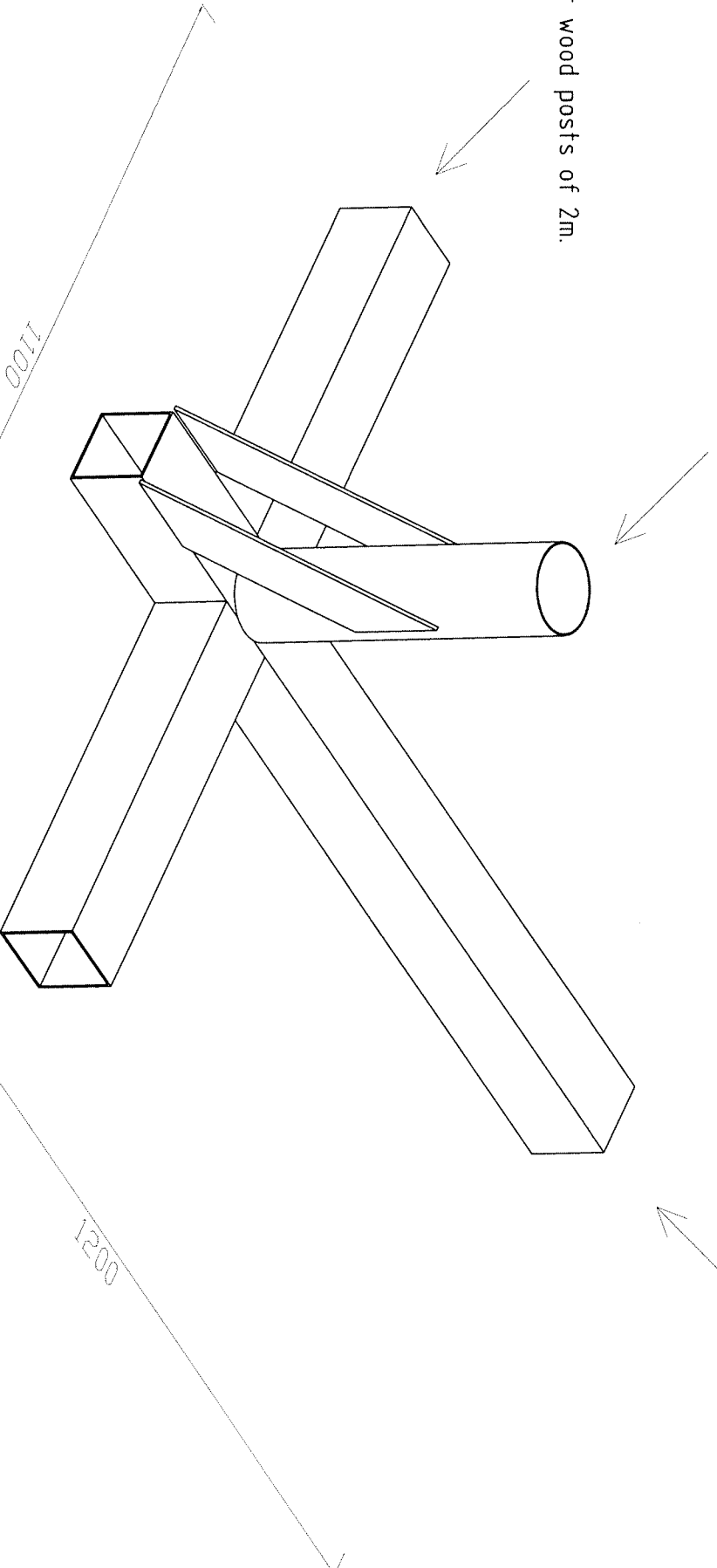
Aggiornamento  
n°

Pagina:1/2

Insert galvanized posts

Insert wood posts of 3m.

Insert wood posts of 2m.



Insert wood posts of 2m.



**VIVISPORT**  
attrezzature sportive

Base for beach volley system F.I.V.B.

Art. 5500

Tolleranza su quotazioni pari a +1 -0 mm.  
Controllo qualità ogni 50 pezzi.

Aggiornamento  
n° 0

Pagina: 2/2