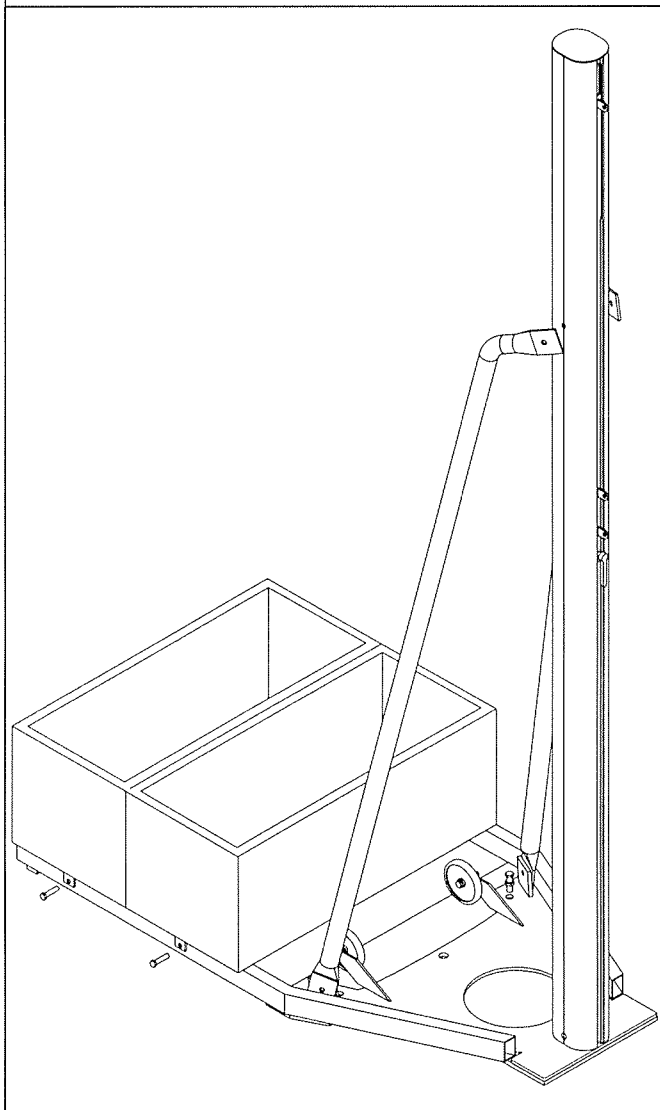


ART. 5024 TRELLIS ALLUMINIUM VOLLEYBALL SYSTEM, OVAL SECTION 120X100 MM. WITH INTERNAL MECHANISM, REDUCED TIE-RODS - BALLAST BOX EQUIPPED AND LASER CUT PLATE ANTI-TWISTING.



PRODUCT DESCRIPTION

Volleyball system with trellis realised in aluminium, oval section 120x100 mm. with reduced tie-rods. All the mechanisms to adjust post and net heights are inside the post. The fixing in the ground are with tie-rods. Ballast box equipped, laser cut plate, anti-twisting, removable.

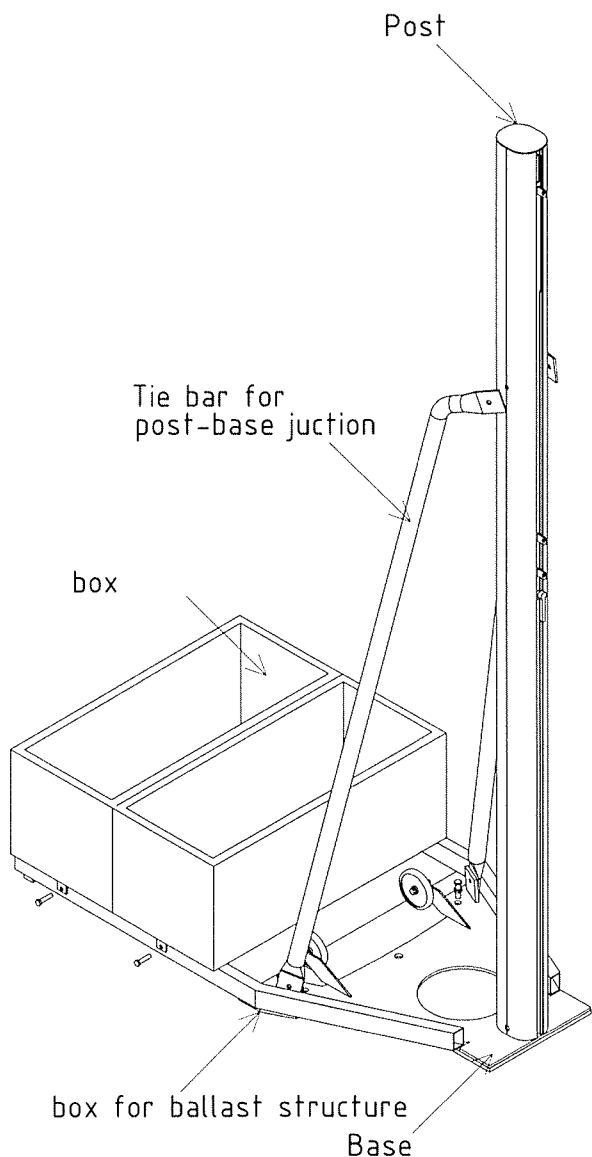
WARNINGS

- Before starting the assembly or use the system, read carefully instructions and verify the presence of all the components.
- This system has been designed exclusively for volleyball not for others uses;
- Do not climb on the posts or net;
- To adjust post height or the net, use only the supplied handle, don't force it at the end, it is absolutely forbidden the use of any electrical device (drill, screwdriver...) that invalidate the warranty of the product;

MAINTENANCE

- Once a year oil all mechanisms;
- Once a year control the general condition of the volleyball system.

In case of structural failures or deformations, breaks or anomalies in general, contact immediately the installer or the dealer.



LIST OF COMPONENTS FOR 1 SYSTEM ART. 5024

- n° 2 bases;
- n° 2 posts;
- n° 2 box for ballast structure;
- n° 4 box;
- n° 4 tie bar for post-base junction;
- n° 4 wheels diam. 100mm.;
- n°1 handle net stretching;
- n° 2 handles;
- n° 4 snap hook;
- n° 4 screws M10x40;
- n° 4 screws M10x25;
- n° 4 screws M12x30;
- n° 16 nuts M12;
- n° 16 screws M10x60
- n° 4 screws M8x25 plain head;
- n° 20 nuts M10
- n° 12 washers diam. 10 mm.

ASSEMBLY INSTRUCTION:

- Fix the post to the base (Fig. 3)
- Fix tie-bar base-post junction (Fig. 2-4)
- Fix wheels to the base (Fig. 1)
- Fix the base to the ballast box frame using screws M12x30 with nut (Fig. 5)
- Fix the boxes to the frame using screws M10x60 (Fig. 6)

IMPORTANT

- Fix the base to the floor with appropriate tie-rods.
- Before removing M10x40 already screwed in the hole of junction tie-bar post, fix another one in the opposite hole to not make falling the sliding.

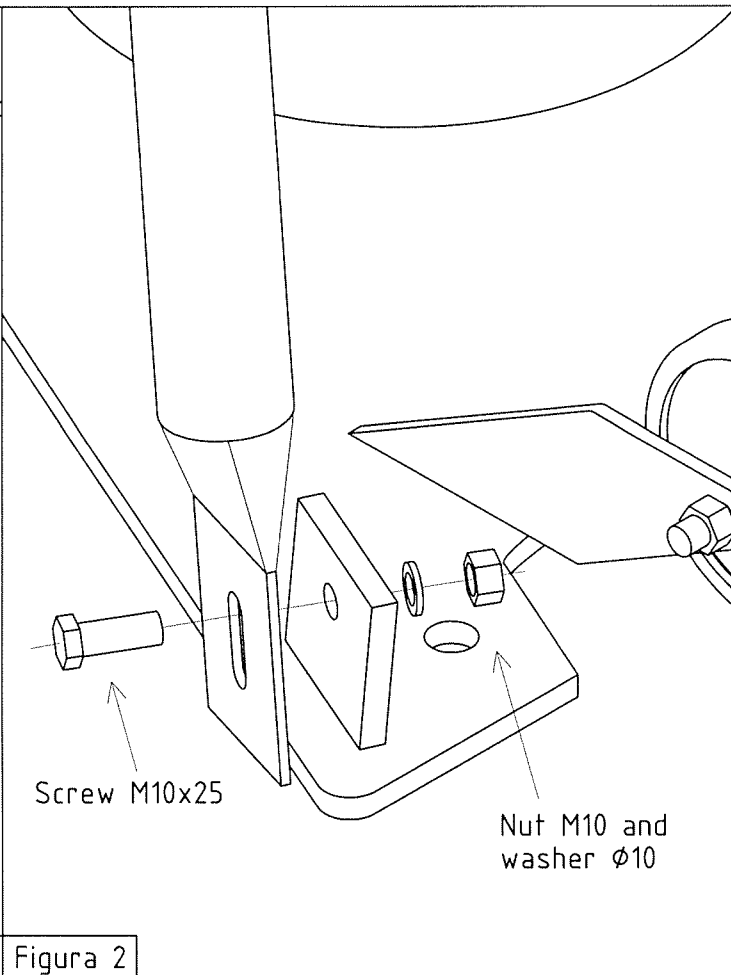
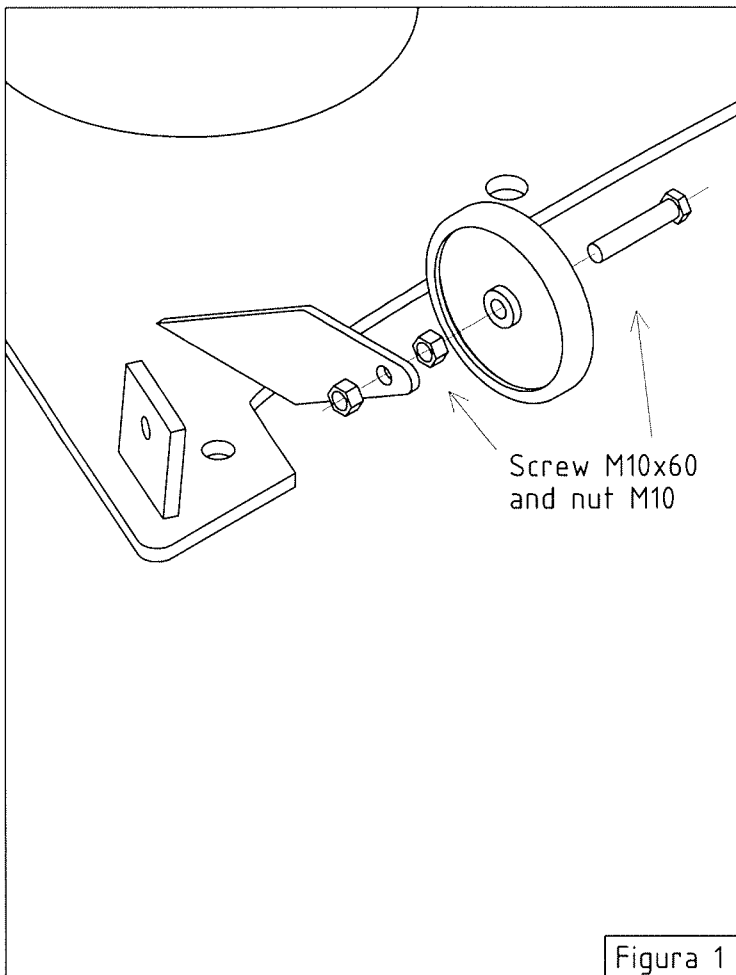
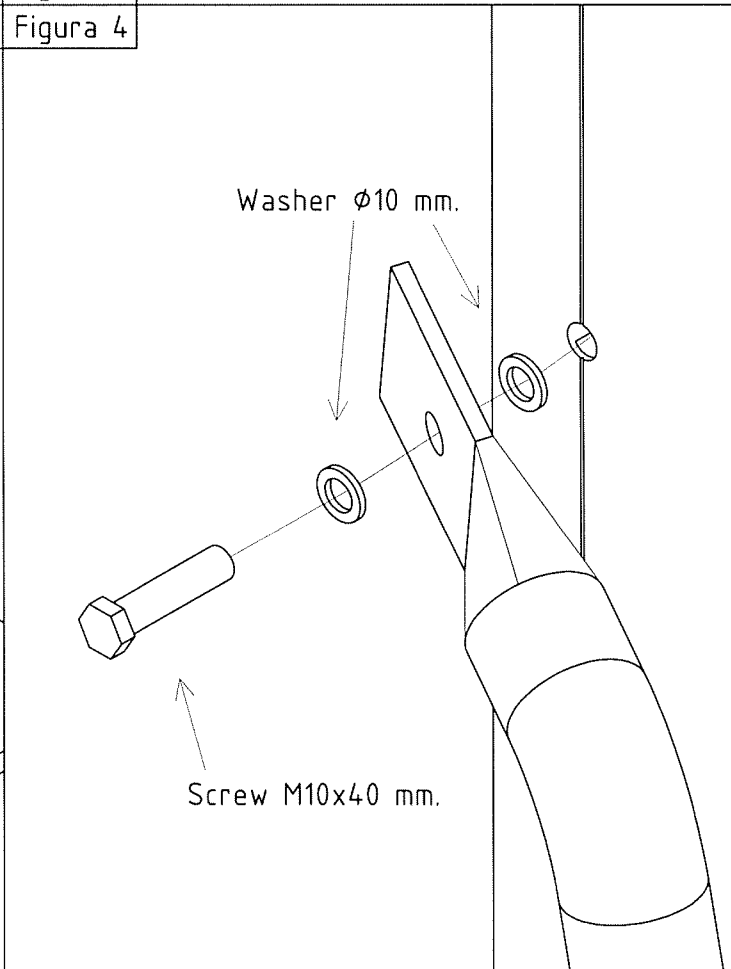
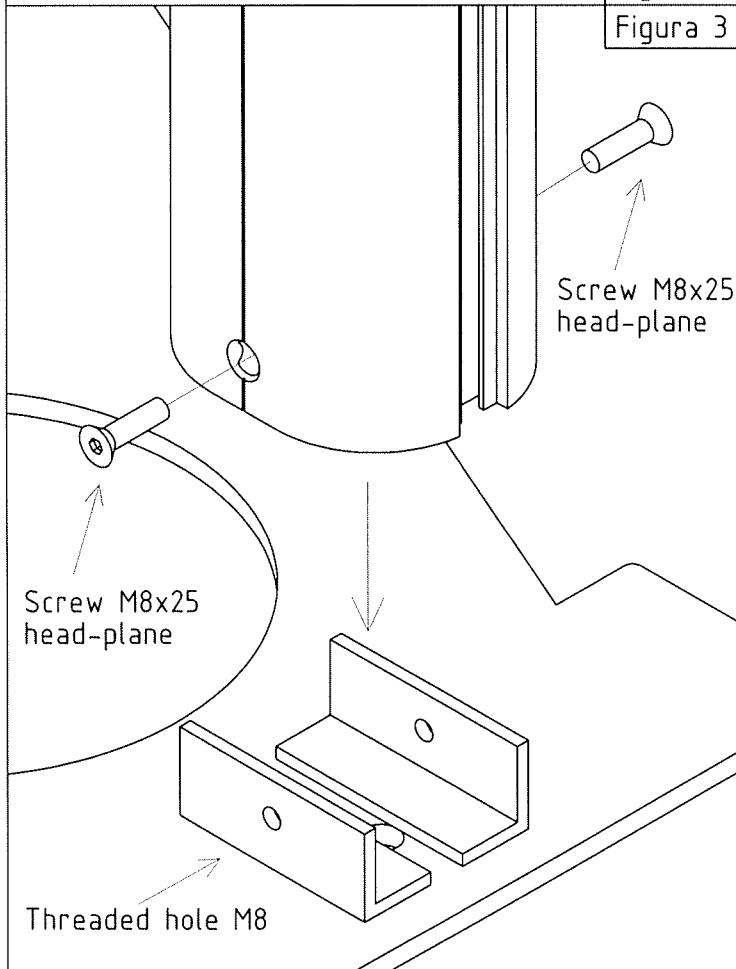


Figura 1	Figura 2
Figura 3	Figura 4



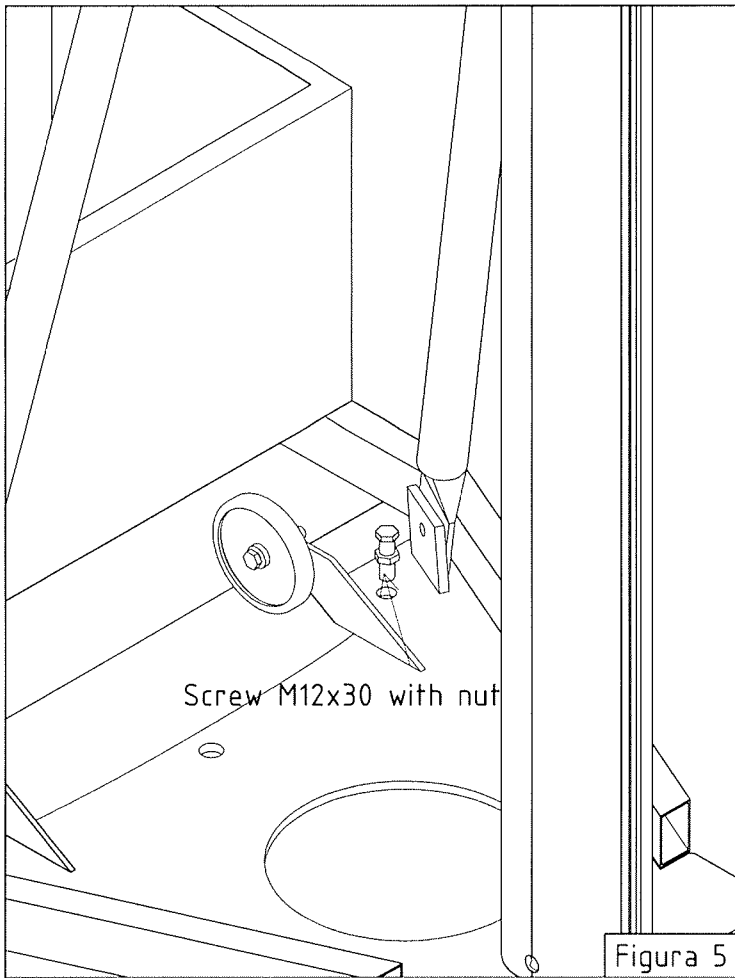
TRELLIS ALLUMINIUM VOLLEYBALL SYSTEM



Art. 5024

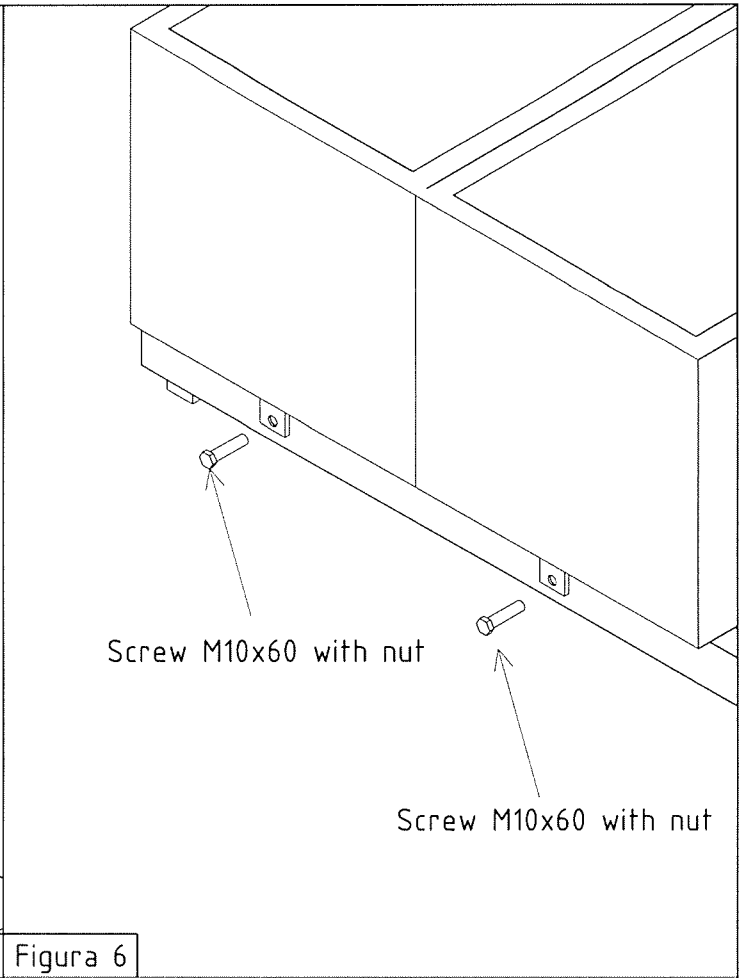
Data:
Aggiornamento n° 1

Pagina: 3/4



Screw M12x30 with nut

Figura 5



Screw M10x60 with nut

Screw M10x60 with nut

Figura 6