

PRODUCT DESCRIPTION

Aluminium football goal 1.5 x 1m. tube diam. 40mm. Deep : superior of 25 cm inferior to 60 cm.

ASSEMBLY INSTRUCTION:

Fix the insert to the goal structure (Fig. 1)

Insert supports into the inserts, well closing fixings (Fig. 2-3)

Fix the central crossbar with screw M8x25 (Fig. 4)

LIST OF COMPONENTS ART.4316 :

n° 2 STRUCTURES

n° 4 SUPPORTS

n° 2 CROSSBARS

n° 8 INSERTS

n° 4 SCREWS M8X16

n° 2 NETS

n° 8 GRAINS M8

n° 60 BANDS

WARNINGS

- Before starting the assembly or use the system, read carefully instructions and verify the presence of all the components.
- This system has been designed exclusively for football not for others uses;
- Football goals has to be always insured against overturning;
- Periodically control general condition and safety of the system;
- Do not climb on the football goal structure and net;

MAINTENANCE

- Once a year, control that all the fixings are well closed.
- Once a year control the football goal condition.
- In case of structural failures or deformations, breaks or anomalies in general, contact immediately the installer or the dealer.

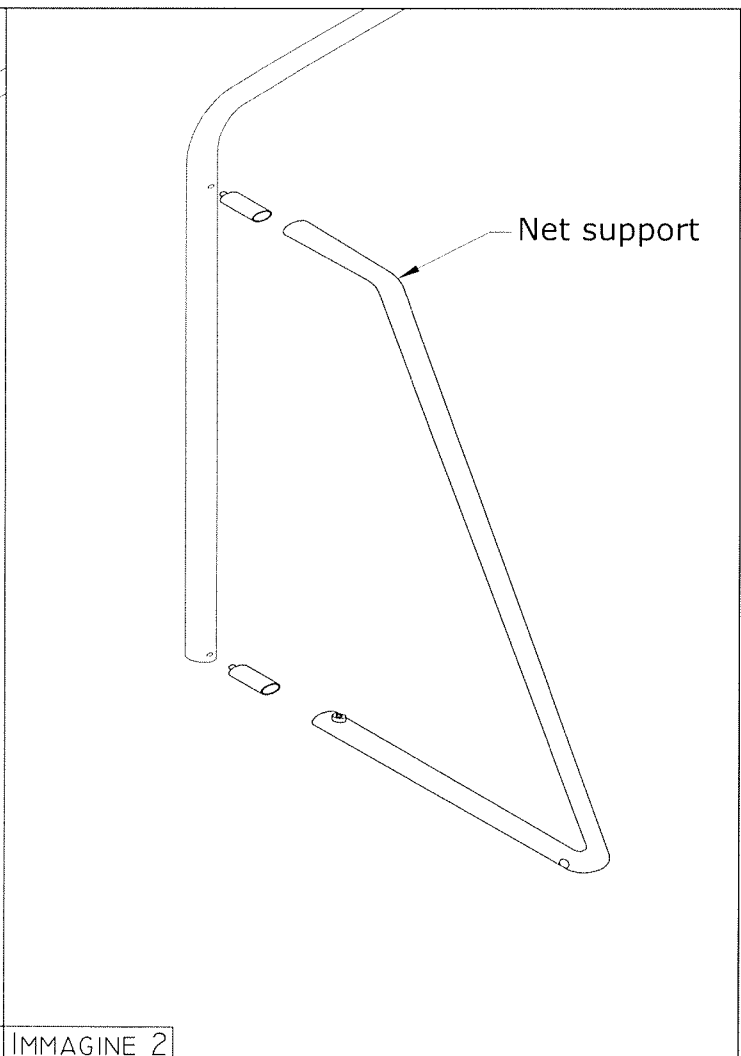
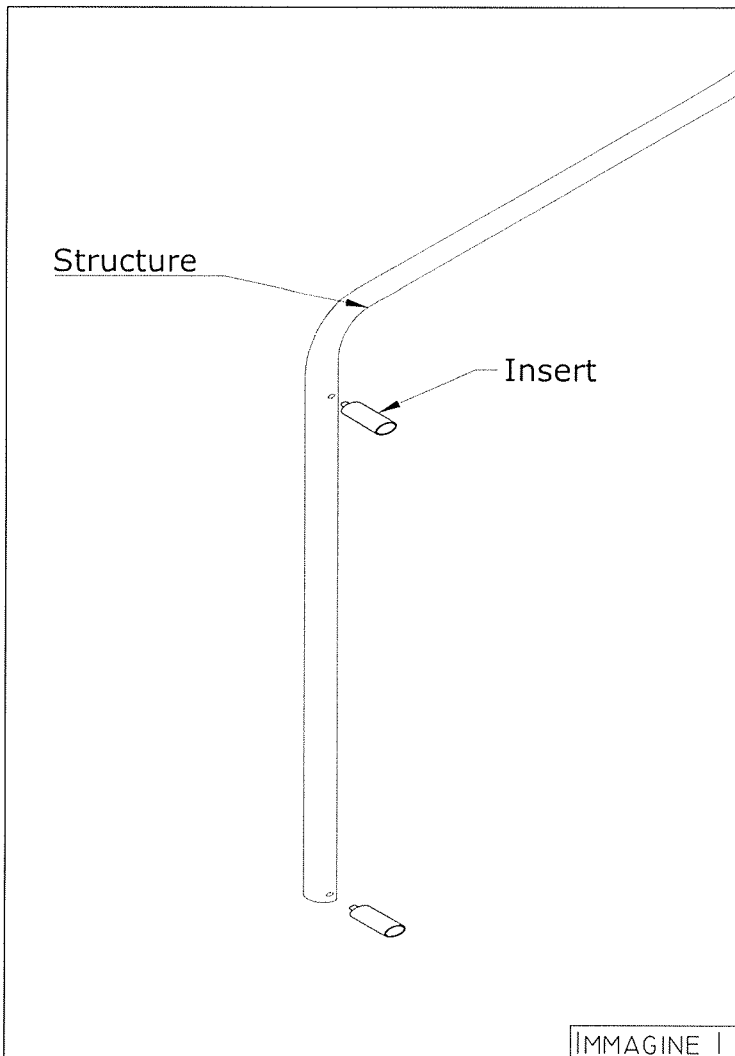
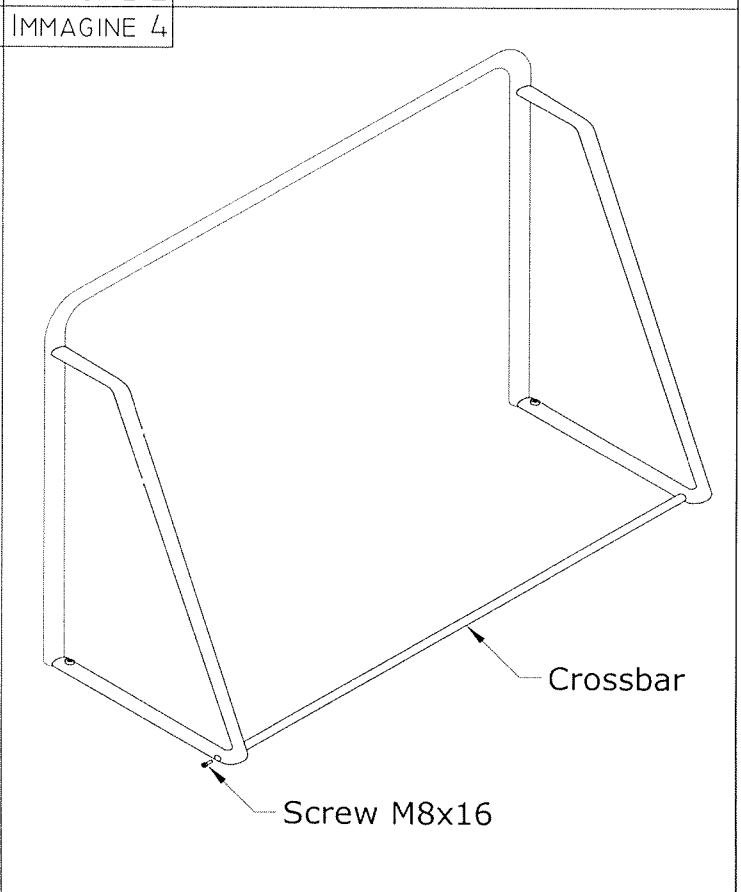
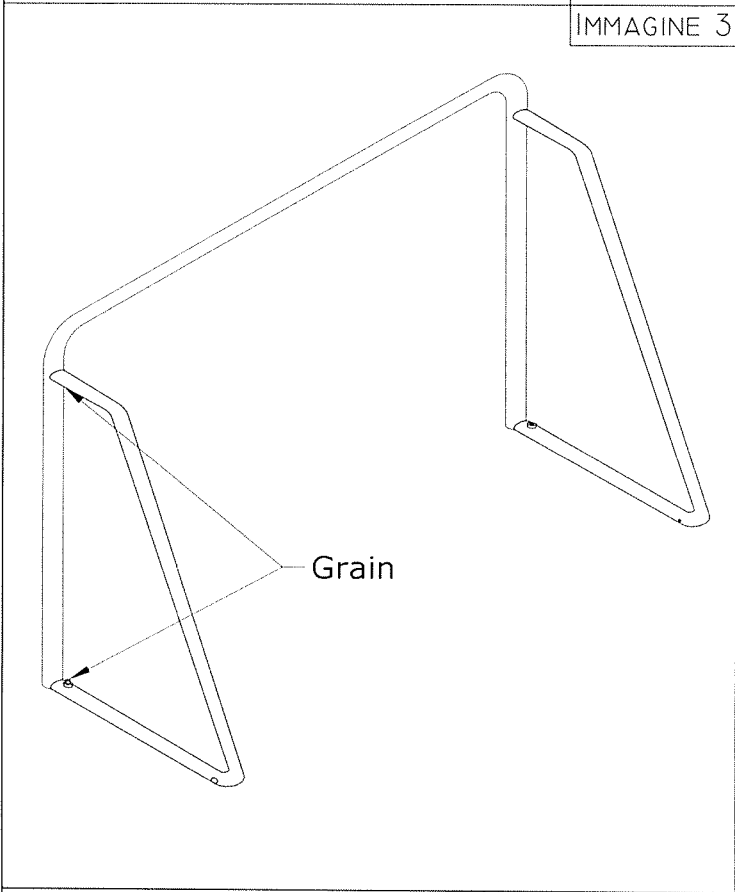


IMMAGINE 1	IMMAGINE 2
IMMAGINE 3	IMMAGINE 4



FOOTBALL GOAL 1.5X1			
Art.6007	Tolleranza su quotazioni pari a +1 -0 mm. Controllo qualità ogni 50 pezzi.	Aggiornamento n°	Pagina:2/2