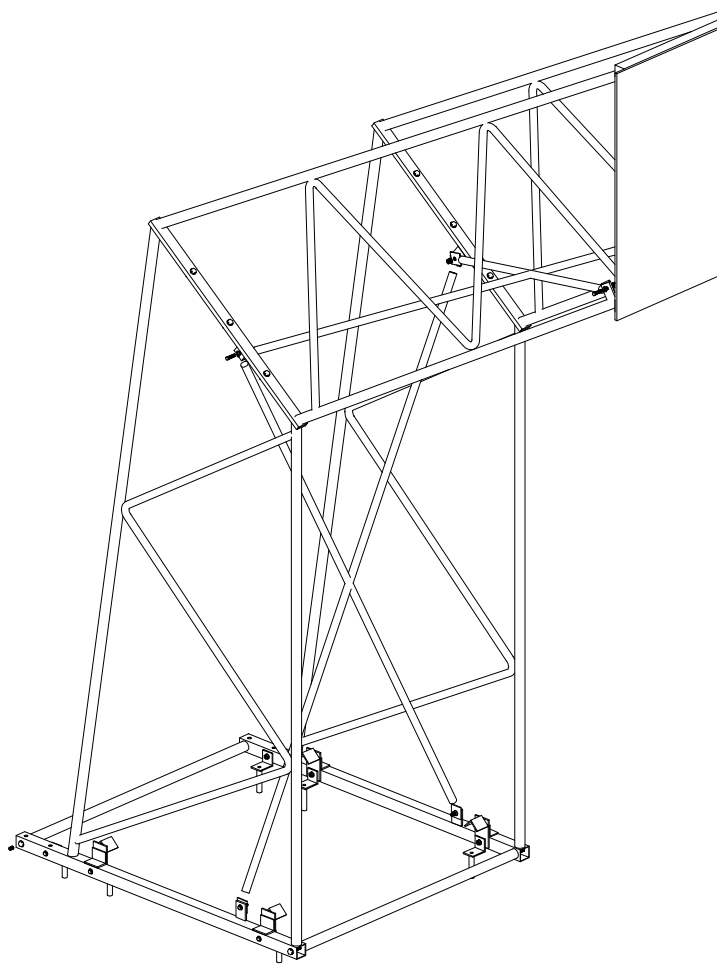


ART. 4251-4256 FIXATED GALVANIZED STEEL TRELLIS BASKETBALL SYSTEM



LIST OF COMPONENTS

- n° 4 lower trellis
- n° 4 superior trellis
- n° 4 long cross bars
- n° 4 short cross bars
- n° 4 spacers
- n° 2 backstop frames
- n° 12 plates for the fixing
- n° 12 anchors
- n° 8 screws M12x70 with washer
- n° 12 screws M12x40 with washer
- n° 12 screws M12x30 with washer and nut
- n° 8 screws M12x30 with washer
- n° 24 screws M10x40 with nut and washer
- n° 2 baskets Art. 4007
- n° 2 nets art. 4020
- n° 8 _M10x70 with nut and washer if art. 4251
- n° 8 M10x60 with nut and washer if art. 4256

Fix 4 transport supports in the trellis base with screws 10x70, fix the plate together with the transport support.

PRODUCT DESCRIPTION

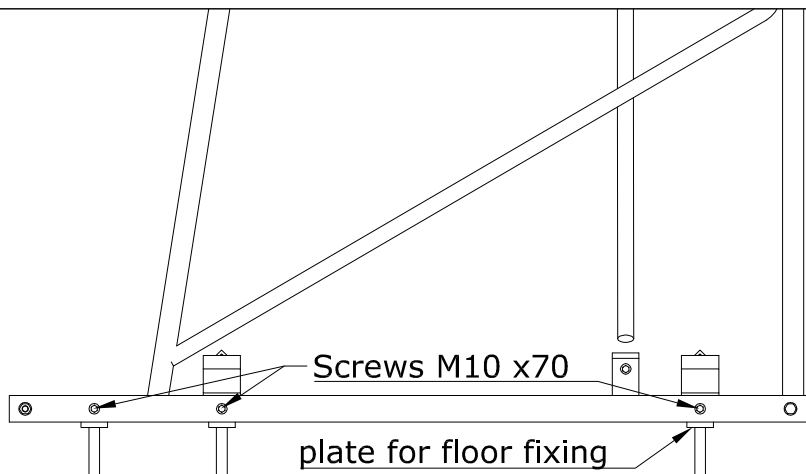
Fixed galvanized steel trellis basketball system equipped with wood backboard (art. 4251) or laminated outdoor backboard (art. 4256) . Realized in hot galvanized steel, extension cm 220. It is supplied completely dismantled to simplify transport.

WARNINGS

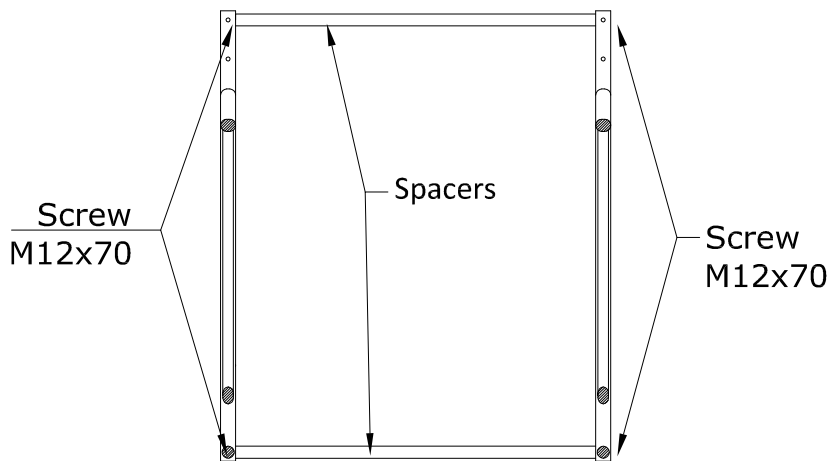
- Before starting the assembly or use the structure, read carefully instructions and verify the presence of all the components.
- Anchor the system to avoid overturning.
- This system has been designed exclusively for basketball not for others uses;
- Use appropriate anchors to the type of the floor and always verify it;
- Do not climb on the structure.

MAINTENANCE

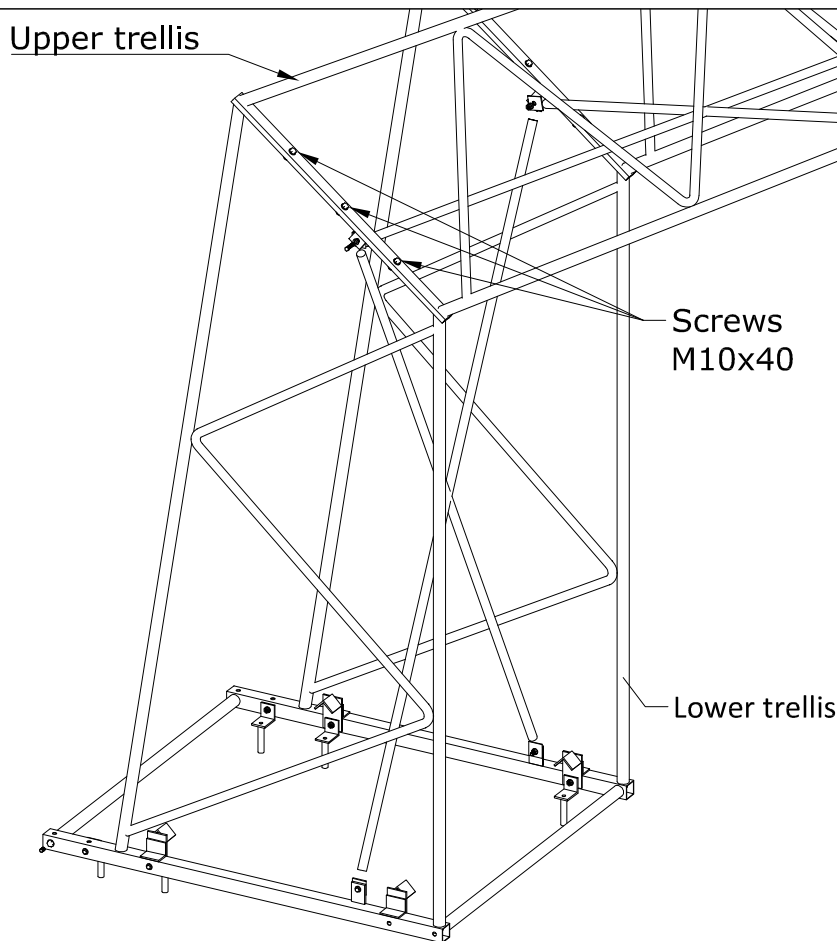
- Once a year, control that all the fixings are well closed.
- Every time that the system is installed, control the general condition of it.
- In case of structural failures or deformations, breaks or anomalies in general, contact immediately the installer or the dealer.



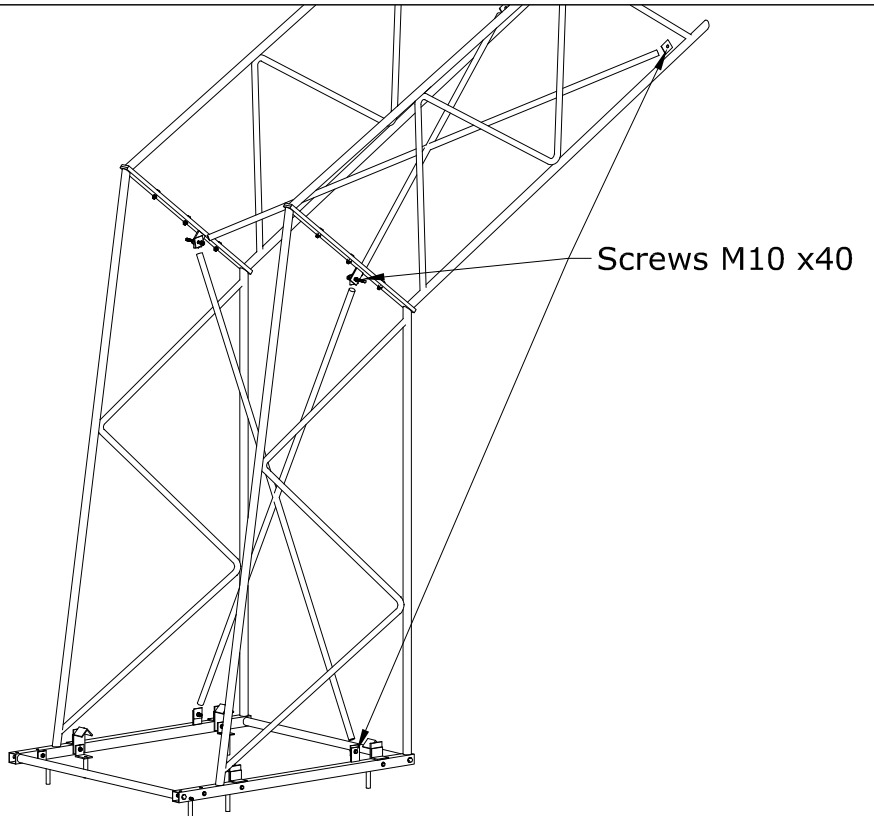
Fix 4 transport supports in the trellis base with screws 10x70, fix the plate together with the transport support.



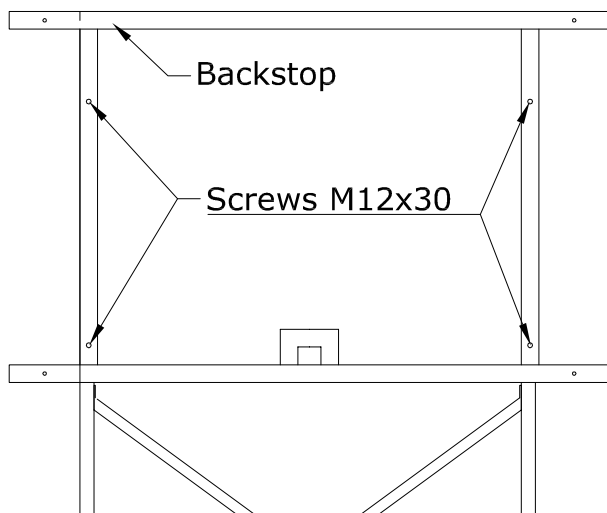
Fix 2 spacers to the base of the trellis with M12x70



Fix 2 upper trellis to the lower trellis with screw M10x40 carefully.



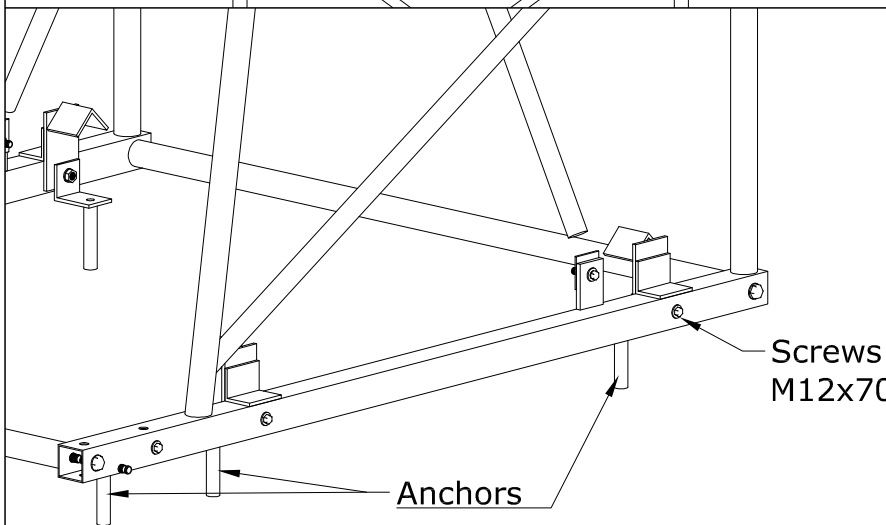
Cross the long bars from the base to the upper trellis and the shorts bars for the upper as the drawing, use screws M10x40



Fix the backstop and backboard to the upper trellis using screws M12x30 with washer.

ASSEMBLY BASKET

Use screws n. 8 M10x70 with nut and washer to fix basket for art. 4251, or use n. 8 screws M10x60 with nut and washer for art. 4256.



Fix trellis with plates to the anchors already installed, use screws M12x70