

## PRODUCT DESCRIPTION

Mobile single-tube basketball system, melamine resin scoreboard heavy structure, scoreboard support in square tube mm. 150x150; reinforcing tie-rods in round tube diam. mm. 40; all fixed and reinforced to reduce the vibrations of it;

the system is supplied with a special system of hooking the frame to the scoreboard, such as to make it adjustable in height, adapting it to uneven floors; on the back of the structure on the ground there is a metal box equipped with a lid.

overhang cm.165, backboard with regulation measures, baskets and nets.

Moving system with nylon wheels. On request we provide rubber protection pads, the ballast must be filled with 200 kg.of sandbags..

LIST OF COMPONENTS OF NO. 2 ART. 4500 SYSTEMS  
(complete system)

- No. 4 screws M12x180;
- No. 40 washers  $\phi$ 12;
- No. 4 self-locking M12 nuts;
- No. 4 M10x50 screws;
- No. 6 Screws M10x25;
- No. 20 Screws M12x40;
- No. 16 Screws M12x30;
- No. 36 M12 nuts;
- No. 2 Screws M10x60;
- No. 4 Screws M10x40;
- No. 6 Screws M10x70;
- No. 18 Washers  $\phi$ 10;
- No. 20 M10 nuts.

## WARNINGS

- Read the instructions carefully and make sure all components are present before using the system or beginning assembly;
- This basketball system is designed for basketball only and not for any other purpose;
- Non arrampicarsi sulla struttura. Do not climb on the basketball system;
- Use anchors specific to the type of flooring;
- Ensure that the facility is secured to the ground with anchors specific (not included) to the flooring;
- The manufacturer cannot be held responsible for any damage caused by improper and unreasonable use.

## MAINTENANCE

- Check at least once a year that all fasteners are fully tightened;
- Check each time the system is installed and in any case at least once a year the general condition of the system.

In case of any structural failure or deformation, breakage or general anomaly, contact the installer or dealer immediately.



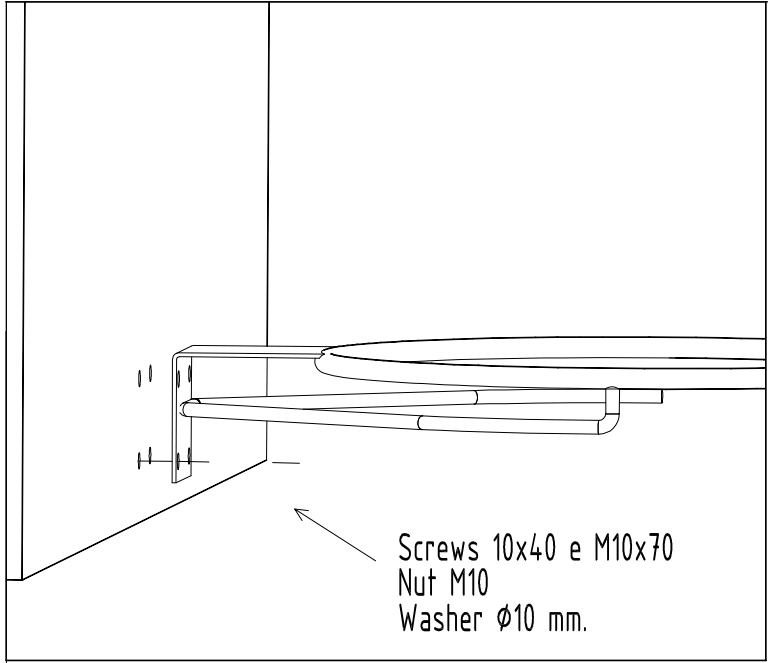
**VIVISPORT**  
attrezzature sportive

MOBILE BASKETBALL SYSTEM

Art. 4500

Date: 29/03/2021  
Update n°2 Screws

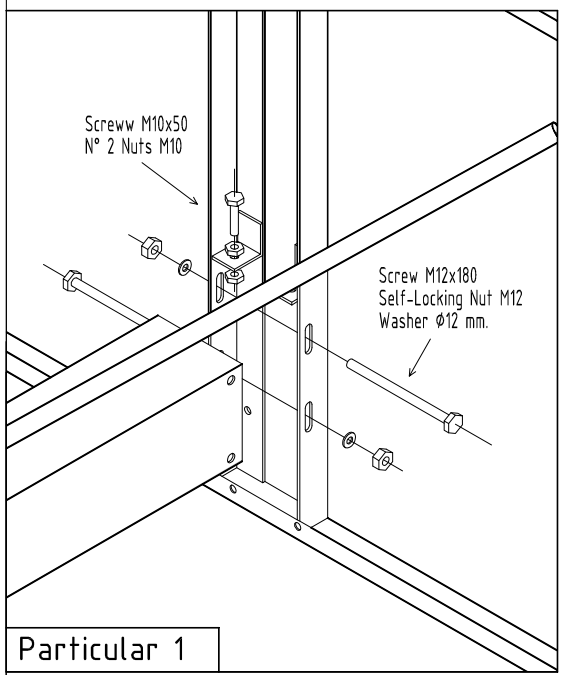
Page:1/4



Screw M10x25  
Washer  $\phi$ 10 mm.

Screw M10x25  
Washer  $\phi$ 10 mm.

Particular 1

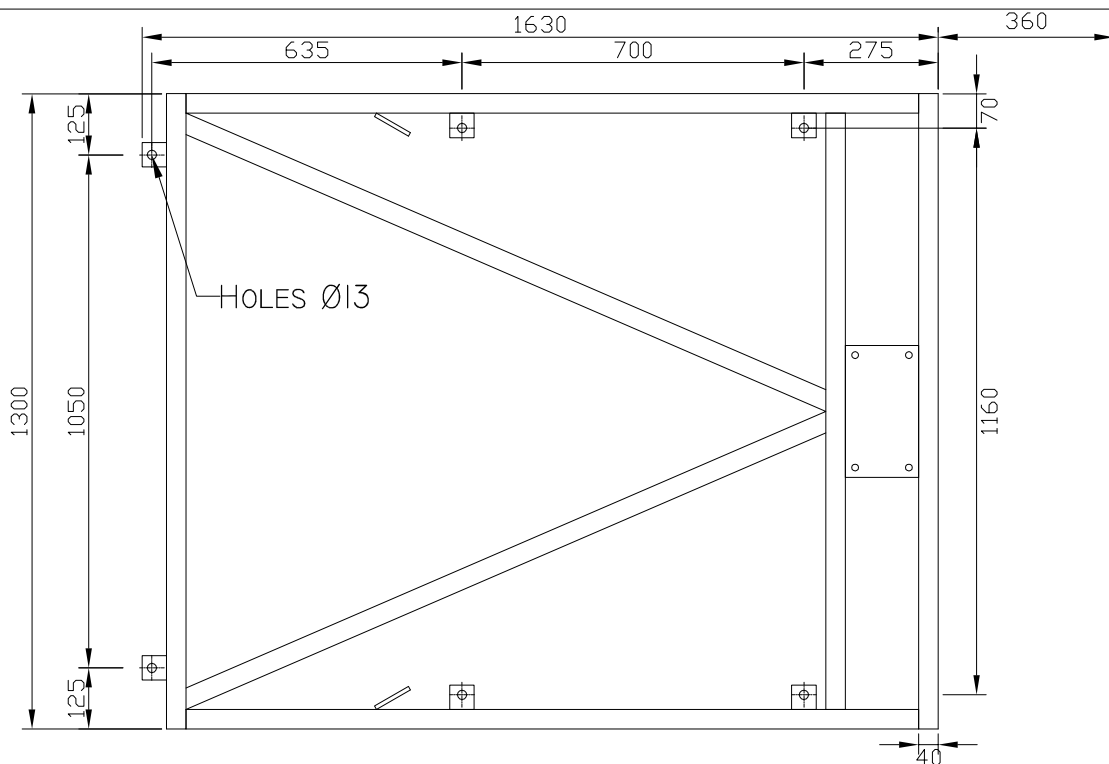
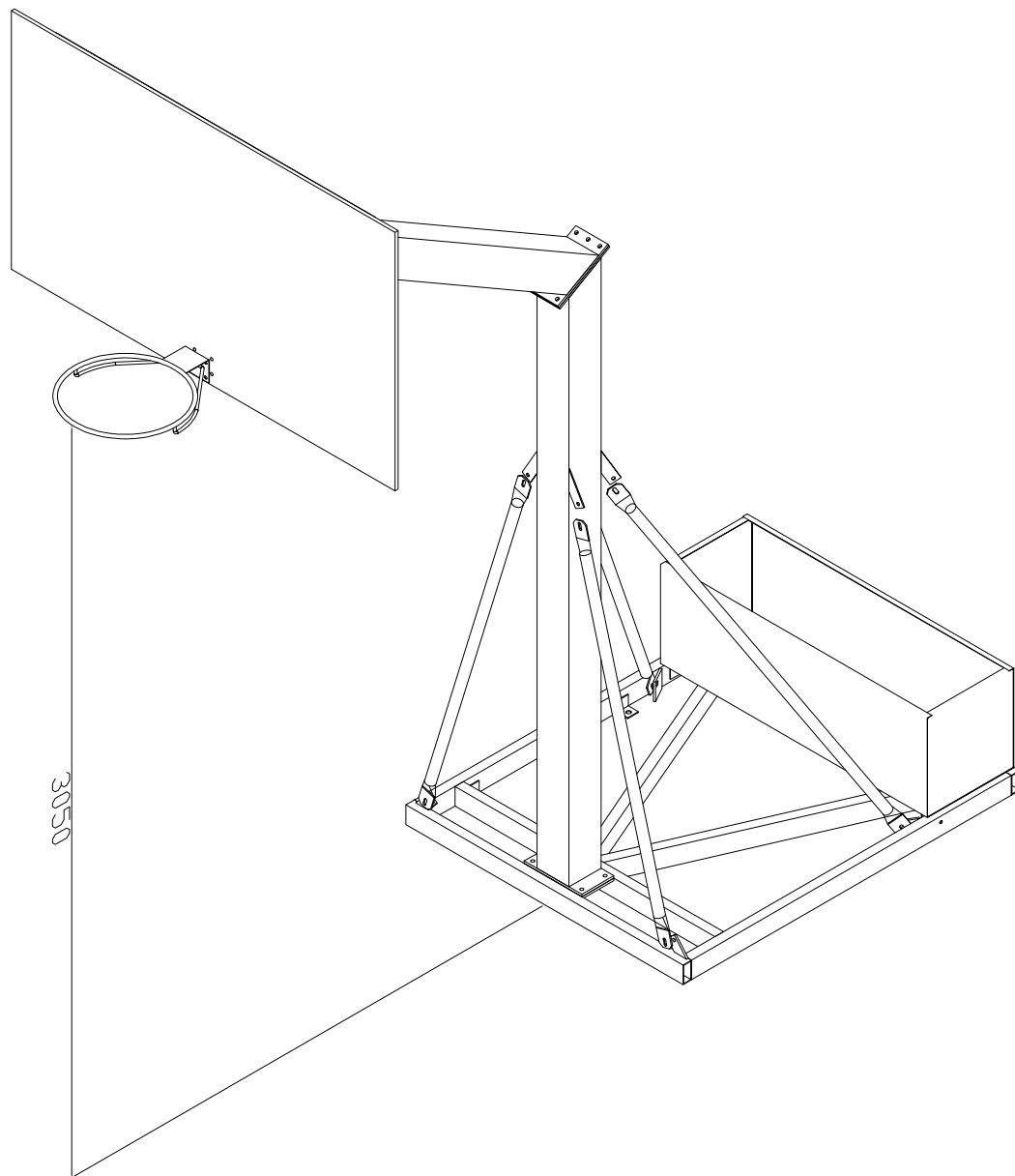


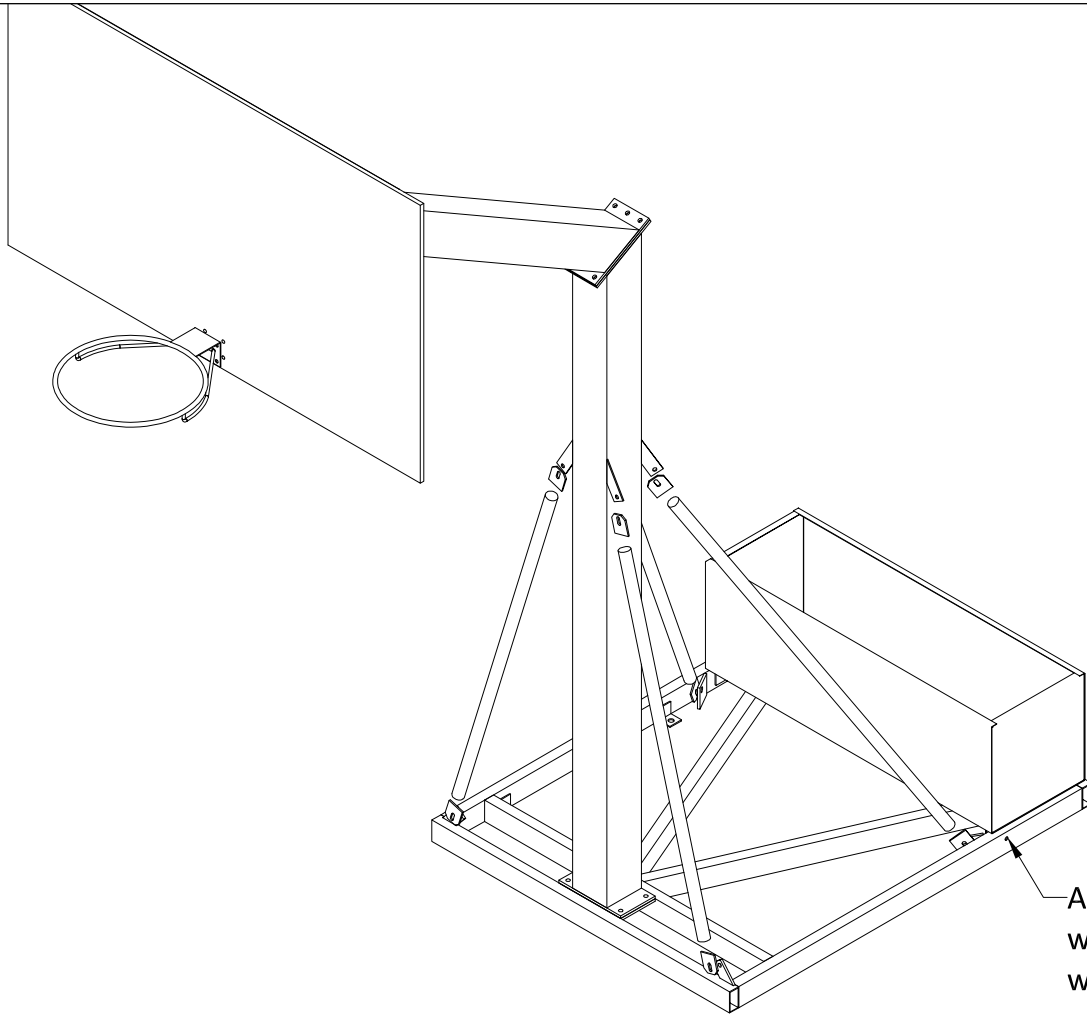
Screw M12x40  
Nut M12  
Washer  $\phi$ 12 mm.

Screw M12x30  
Nut M12  
Washer  $\phi$ 12 mm.

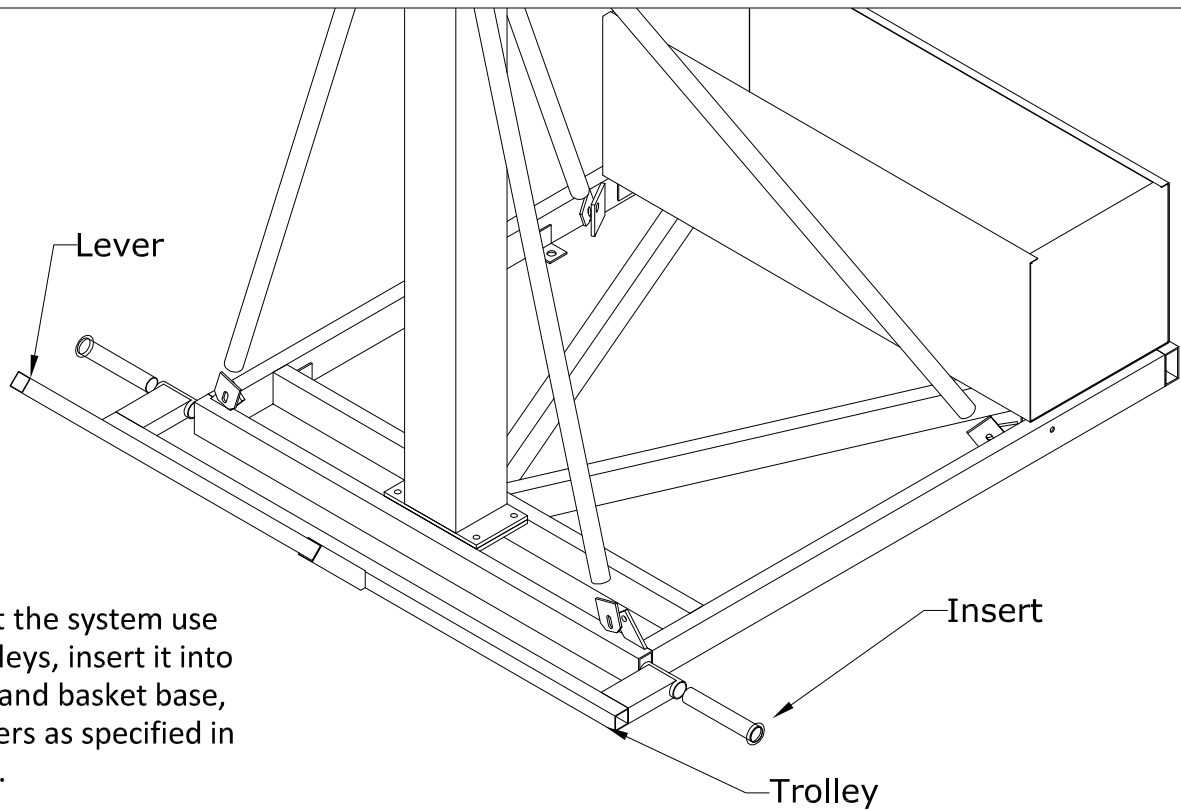
Screw M12x40  
Nut M12  
Washer  $\phi$ 12 mm.

Screw M12x30  
Nut M12  
Washer  $\phi$ 12 mm.





Assembly the ballasts with the M10x70 screws with nut and washer



To transport the system use the two trolleys, insert it into the trolleys and basket base, turn the levers as specified in the drawing.

Insert

Trolley